

Cordless Drill

Using Manual



Safety Guidelines

Be sure to read and understand this manual for your safety. When using this product it is important to read and understand this information. It will protect you and help prevent any problems.

Here are the guidelines to help you understand the symbols used in this guide.
DANGER: indicates a potentially hazardous situation which could result in death or serious injury.

WARNING: indicates the situation which could result in death or serious

CAUTION: indicates a potentially hazardous situation which could result in mild to moderate injury.

NOTICE: When used without the Safety Alert symbol, this indicates a potentially hazardous which, if not avoided, can result in property damage.

GENERAL POWER TOOLS SAFETY WARNINGS

WARNING: Read all of the instructions and pay close attention to the safety warnings. Failure to follow the warnings and instructions can result in electric shock, fire and or serious injury.

SAVE THESE WARNINGS AND INSTRUCTIONS YOU MAY NEED TO REFER TO THEM LATER

The term "power tool" in the warnings refers to your mains-operated (corded) power tool or battery-operated (cordless) power tool.

Technical specification

Voltage	12V
No-load Speed	0-400/0-1400rpm
Max Torque	18N.M
Max Diameter of Chuck	10mm

SAFETY WARNINGS AND INSTRUCTIONS

This manual contains important safety and operating **instructions**.

- 1) Be sure that any attachments are **recommended or sold by** Hyper Tough; use of attachments by other manufacturers may not meet the same requirements and can result in fire, electric shock, or injury.
- 2) Never pull by the cord - always pull by the plug when disconnecting.
- 3) Never open the power tool - there are no parts inside that are serviceable

by the customer.

4) NEVER incinerate the power tool when it is ready to be discarded. It can explode in a fire.

WARNING Read all safety warnings, instructions, illustrations and specifications provided with this power tool. Failure to follow all instructions listed below may result in electric shock, fire and/or serious injury. Save all warnings and instructions for future reference.

General power tool safety warnings-Work area safety

- a) Keep work area clean and well lit. Cluttered or dark areas invite accidents.
- b) Do not operate power tools in explosive atmospheres, such as in the presence of flammable liquids, gases or dust. Power tools create sparks which may ignite the dust or fumes.
- c) Keep children and bystanders away while operating a power tool. Distractions can cause you to lose control.



When operating a power tool outdoors, use an extension cord suitable for outdoor use. Use of a cord suitable for outdoor use reduces the risk of electric shock.

If operating a power tool in a damp location is unavoidable, use a residual current device (RCD) protected supply. Use of an RCD reduces the risk of electric shock.

General power tool safety warnings- Personal safety

- A) Stay alert, watch what you are doing and use common sense when operating a power tool. Do not use a power tool while you are tired or under the influence of drugs, alcohol or medication. A moment of inattention while operating power tools may result in serious personal injury.
- B) Use personal protective equipment. Always wear eye protection. Protective equipment such as a dust mask, non-skid safety shoes, hard hat or hearing protection used for appropriate conditions will reduce personal injuries.
- C) Prevent unintentional starting. Ensure the switch is in the off-position before connecting to power source and/or battery pack, picking up or carrying the tool. Carrying power tools with your finger on the switch or energising power tools that have the switch on invites accidents.
- D) Remove any adjusting key or wrench before turning the power tool on. A wrench or a key left attached to a rotating part of the power tool may result in personal injury.
- E) Do not overreach. Keep proper footing and balance at all times. This enables better control of the power tool in unexpected situations.

F) Dress properly. Do not wear loose clothing or jewellery. Keep your hair and clothing away from moving parts. Loose clothes, jewellery or long hair can be caught in moving parts.

G) If devices are provided for the connection of dust extraction and collection facilities, ensure these are connected and properly used. Use of dust collection can reduce dust-related hazards.

H) Do not let familiarity gained from frequent use of tools allow you to become complacent and ignore tool safety principles. A careless action can cause severe injury within a fraction of a second.

General power tool safety warnings- Power tool use and care

A) Do not force the power tool. Use the correct power tool for your application. The correct power tool will do the job better and safer at the rate for which it was designed.

B) Do not use the power tool if the switch does not turn it on and off. Any power tool that cannot be controlled with the switch is dangerous and must be repaired.

C) Disconnect the plug from the power source and/or remove the battery pack, if detachable, from the power tool before making any adjustments, changing accessories, or storing power tools. Such preventive safety measures reduce the risk of starting the power tool accidentally.

D) Store idle power tools out of the reach of children and do not allow persons unfamiliar with the power tool or these instructions to operate the power tool. Power tools are dangerous in the hands of untrained users.

E) Maintain power tools and accessories. Check for misalignment or binding of moving parts, breakage of parts and any other condition that may affect the power tool's operation. If damaged, have the power tool repaired before use. Many accidents are caused by poorly maintained power tools.

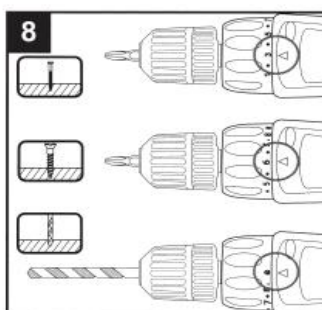
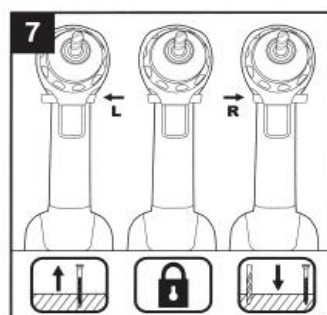
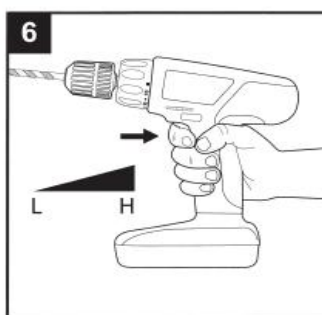
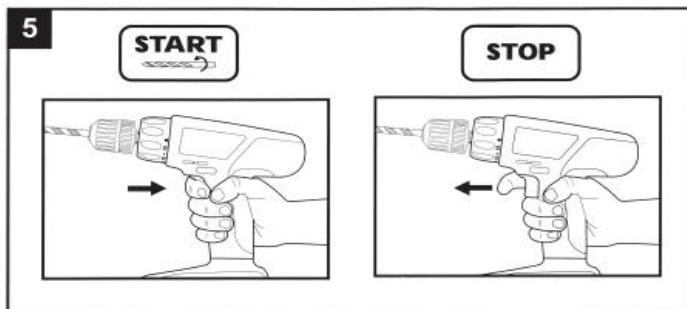
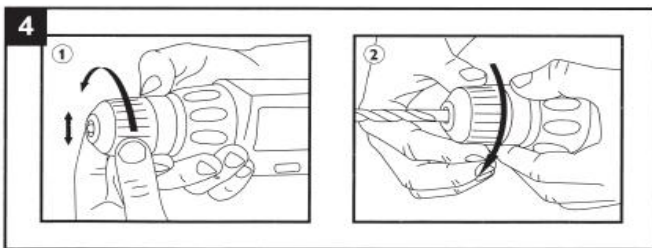
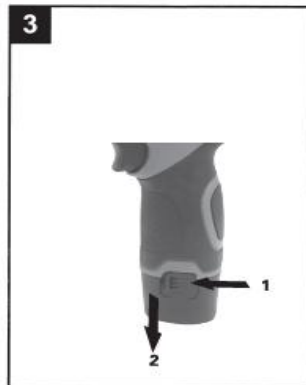
F) Keep cutting tools sharp and clean. Properly maintained cutting tools with sharp cutting edges are less likely to bind and are easier to control.

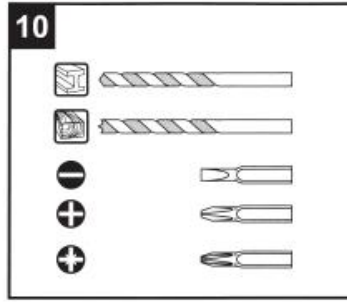
G) Use the power tool, accessories and tool bits etc. in accordance with these instructions, taking into account the working conditions and the work to be performed. Use of the power tool for operations different from those intended could result in a hazardous situation.

H) Keep handles and grasping surfaces dry, clean and free from oil and grease. Slippery handles and grasping surfaces do not allow for safe handling and control of the tool in unexpected situations.

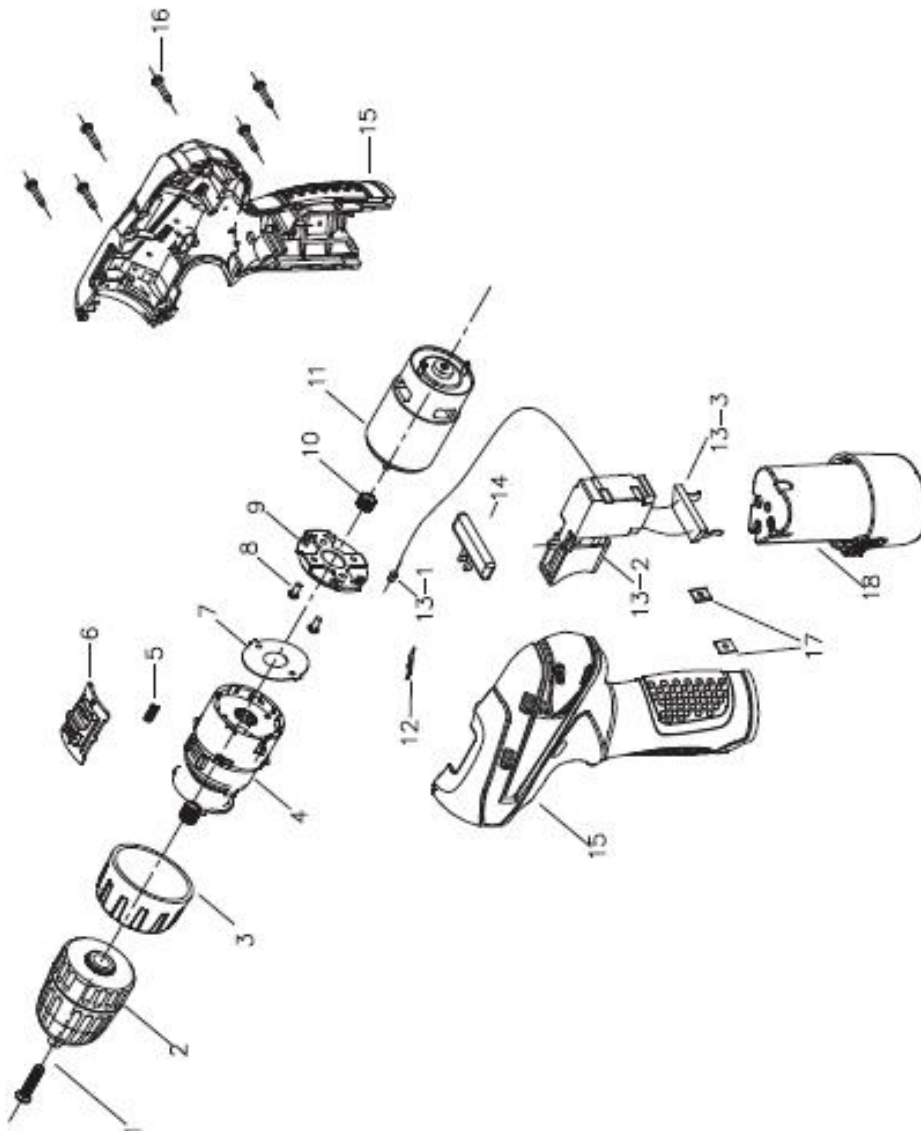
PRODUCT ELEMENTS **2**

1. Switch for on/off and speed control
2. Switch for changing direction of rotation
3. Keyless chuck
4. Ring to torque control





Exploded View:



Spare Parts List:

NO.	NAME	QYT
1	5*20Cross head machine for reverse screw	1PCS
2	SANO 10mm Chuck	1PCS
3	Double speed torque cup	1PCS
4	Gear Box	1PCS
5	Small spring of push rod	1PCS
6	1/2 Speed adjustment of gear	1PCS
7	Binaural gaskets	1PCS
8	3*6Cross pan head screw (color)	2PCS
9	Double speed cover plate	1PCS
10	Gear	1PCS
11	Motor	1PCS
12	T type clicker	1PCS
13-1	12V Lamp bead	1PCS
13-2	12V Switch	
13-3	12V Bipost	
14	Switch reverse and reverse rotation	1PCS
15	Chassis	1SET
16	3*14 Cross pan head self tapping screw	6PCS
17	Clip	2PCS
18	Battery	1PCS



MAINTENANCE

Make sure that the machine is not live when carry-ing out maintenance work on the motor. Regularly clean the machine housing with a soft cloth, prefer-ably after each use. Keep the ventilation slots free from dust and dirt.If the dirt does not come off use a soft cloth moistened with soapy water. Never use solvents such as petrol, alcohol,ammonia water, etc. These solvents may damage the plastic parts.The machine requires no additional lubrication.



ENVIRONMENT

In order to prevent the machine from damage during transport, it is delivered in a sturdy packaging. Most of the packaging materials can be recycled. Take these materials to the appro- priate recycling locations. Take your unwanted machines to your local RBT dealer. Here they will be disposed of in an environmentally safe way. Li-Ion batteries can be recycled. Deliver them to a disposal site for chemical waste so that they can be recycled or disposed of in an environmentally friendly manner.