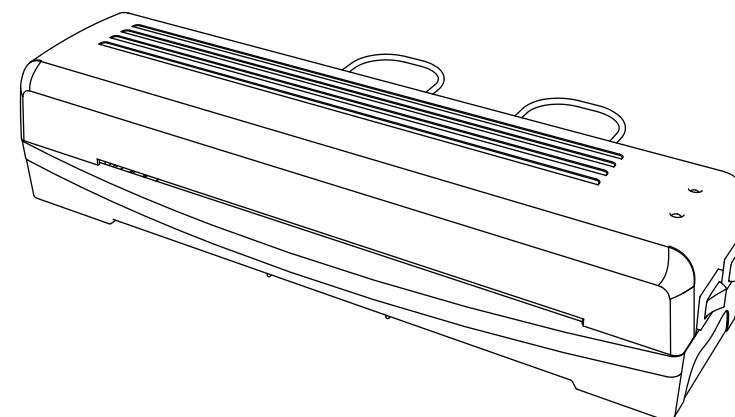


**deli**

# USER MANUAL

Laminator



## CERTIFICATE

Inspector: \_\_\_\_\_

Date of Manufacture: \_\_\_\_\_

**DELI GROUP CO., LTD.**

301 Xuxiake Ave. Ninghai County  
Ningbo 315600 China Made in China  
info@nbdeli.com www.deliworld.com



**KEEP FOR  
FUTURE USE**

Version: 1.0  
Date: 09-2021

14378、14379

Thank you for purchasing a Deli laminator. Please use Deli branded laminating pouches with the Deli laminator which will preserve your documents and photos, making them waterproof, tear-proof, cleanable and delicate. Be mindful that removal of lamination could be very difficult and risky.

To avoid personal injury or property damage, please read this manual carefully and use the product accordingly.

## 1. Attention

The plug on the power supply cord is intended to serve as the disconnect device, the socket-outlet shall be installed near the equipment and shall be easily accessible.

The appliance shall be connected to a MAINS socket outlet with a protective earthing connection.



Warning! Keep out of the reach of children.



Warning! Do not touch the pouch inlet with your hand during operation.



Warning! Do not touch the surface of the machine with your hand during operation.



Warning! Please do not allow tie, necklace, sleeves, etc. to get pulling into the pouch inlet.



Warning! Please do not allow your hair to get pulling into the pouch inlet.



Warning! Please be cautious of hot surface during operation.



Warning! Do not disassemble or repair the machine by yourself in any way, to avoid electric shock or accidental injury. In case that an item gets pulled into the laminator and the machine fails, please unplug the power cord and contact your dealer or after-sales service center and follow their instructions.



Warning! Do not splash water onto the machine, avoid a fire or electric shock.



Warning! Do not operate the machine with wet hands, to avoid electric shock or accidental injury.



In case of power outage during operation, please pull out the item being laminated evenly within a short time, and unplug the machine, to avoid fire or electric shock.



Warning! Do not damage or process the power cord or place objects on the power cord, to avoid a fire or electric shock.



In case of smoke, odor or other abnormal conditions, please turn off the power switch immediately and stop using, to avoid a fire or electric shock.



Always unplug the power plug before moving the laminator.



Do not use the laminator if the machine or power cord is damaged, to avoid a fire or electric shock.



When operating the power switch, please make sure that the power plug is properly inserted into the power socket, to avoid damage to the machine. (There will be a crisp crackling sound when the switch is in good contact)



Correct state



Error state



Correct state



AC voltage.



To refer to text in an accompanying document.



Only suitable for use in indoors.



This appliance bears the WEEE mark (Waste of Electric and Electronic Equipment) signifying that, at the end of its life cycle, it should not be disposed of with household waste, but at a recycling centre. The recycling of waste contributes to the conservation of our environment.

## 2. Safety Instructions (Please follow the following precautions to ensure safe use)

Placement of the laminator:

- (1) Do not put the machine in damp place or near the air conditioning vent, to avoid dangerous accidents such as electricity leakage and insulation failure.
- (2) Please ensure the machine is on a flat and level surface, and leave enough space on the side of the pouch outlet.
- (3) Please do not place anything on top of the laminator.
- (4) Be sure to use AC230V power supply.

Laminating pouch:

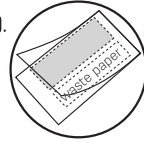
- (1) It is recommended to use the laminating pouches of our company. Pouch of other specification or defective pouches may get caught in the laminator.

- (2) It is recommended to use a laminating pouch 5–6mm larger than the item to be laminated. Inappropriate sized pouches will affect the lamination effect negatively. If there is no pouch with the right size, a larger pouch may also be used. Please place the item within pouches centered as shown in Figure A below and trim it after lamination.

Items to be laminated:

Lamination is conducted through heating and pressurization. The laminating pouch might be rolled up into the machine due to incorrect operation. Therefore, please do not laminate the following items:

- (1) Inflammable and heat sensitive materials (e.g. plastic bags, etc.).
- (2) Important and unique documents.
- (3) Items with a thickness of more than 0.5mm (inclusive of the laminating pouch).
- (4) Items that will discolor or deteriorate after heating, such as heat-sensitive paper and the paper with patterns drawn with crayons

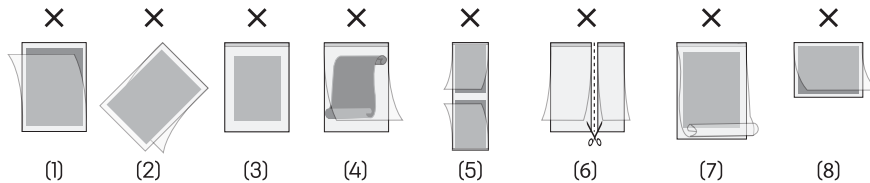


when the laminating film doesn't fit, figure A

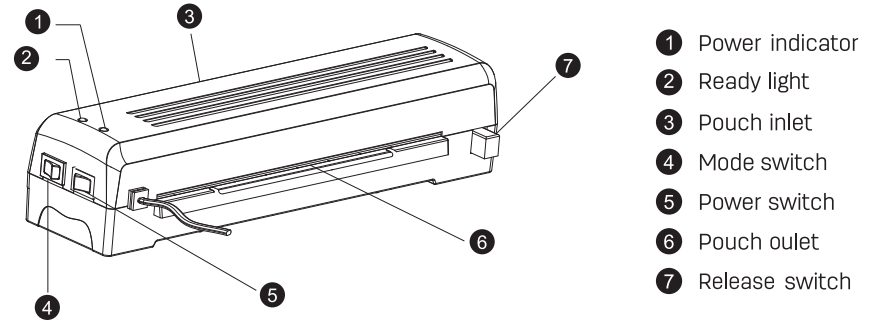
### 3. Laminating Guide

Please DO Not operate as below:

- (1) Place the open end of the pouch into the machine.
- (2) Place the pouch into the machine at an angle.
- (3) Put the item to be laminated into an inappropriate sized pouch, and leave too much space around your contents
- (4) The original items to be laminated are undulating or curled.
- (5) Two consecutive pouches are connected together.
- (6) Cut the pouch before use.
- (7) Use deformed laminating pouches.
- (8) The length of the item to be laminated is less than 65mm.



### 4. Product Diagram



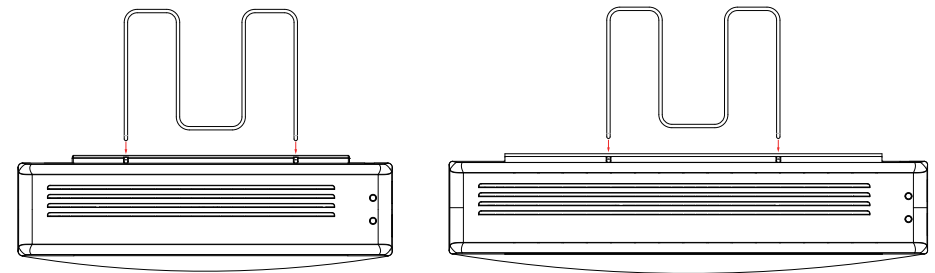
### 5. Laminating Guide

Turn on the laminator: Switch the power on and the power indicator will turn red, indicating that the machine is warming up.

Hot lamination: Use thermal laminating pouches(80-125mic)

- (1) The machine will take approximately 3-4 minutes to warm-up. When the green indicator is lit, the laminator is ready;
- (2) If the pouch does not feed correctly or jams, push pouch Release switch and the pouch can be back out of the laminator by pulling with your hands.

Turn off the laminator: After the completion of the lamination, please adjust the power switch to the "off" position and unplug the power.



## 6. Maintenance

- Cleaning rubber roller: after long-term use of the machine, molten plastic residue will be stuck on the rubber roller, which will easily cause the laminating pouch to get stuck in the machine. In addition, the plastic residue will be difficult to remove once solidified, so please remove it carefully.  
Cleaning steps: please feed medium-thick sheets (such as calendar paper or catalog paper) through the machine without being centered in a pouch, and use hot lamination to laminate it several times.
- Cleaning of the laminator: Please unplug the machine before cleaning, and gently wipe with a soft cloth slightly dampened with water. Do not use solvents such as gasoline, alcohol or diluent. Never use metal brush, tool brush or shovel to tap the rubber roller, so as to avoid scratching it.
- Please protect your laminator from dirt with an appropriate dust cover, when it's not in use for an extended period of time.

## 7. Packing List

#	Name	Quantity	Remark
1	Laminator	1x	
2	User Manual	1x	
3	Steel wire tray	1x	

## 8. Technical Parameters

No	14379	14378
Maximum laminating width	A3	A4
Power	400W	400W
Voltage	AC230V 50Hz	AC230V 50Hz
Maximum thickness	≤0.5mm	≤0.5mm
Laminating speed	260mm/min	320mm/min
Heating mode	External heating	External heating
Noise	≤55dB	≤55dB
Warm up time	About 4 min	About 3 min
Product Dimensions	457*118*108 mm	357*118*108 mm
Net weight	1.55kg	1.1kg

## WARRANTY CARD

Thank you for your purchase of our products. The interests of customers who purchase our products will be protected. For any malfunction due to product quality problems, please contact authorized local dealers or service centers with this receipt and the warranty card.

### Warranty terms:

- For product failures occur under normal operating circumstances, free of charge repair and spare parts replacement service shall be provided by our company within one year commencing from date of purchase.
- Customers are required to present this warranty card and the original purchase invoice to our company upon request for warranty service. This warranty card shall be valid only after the following form is filled out in details and affixed with official seal of the dealer.
- No free of charge repair service shall be provided in the event of any of the following circumstances:
  - Expiration of the warranty period;
  - Damages caused by improper use, maintenance or storage not in accordance with the requirements of the user manual;
  - Failure or damage resulting from unauthorized disassembly, repair or modification;
  - Failure or damage caused by force majeure;
  - Wear parts or accessories.

This warranty card is being delivered with the product, one card for one product. Please keep this warranty card in proper condition for free warranty service. There is no replacement if lost.

Date of Purchase: \_\_\_\_\_ Y \_\_\_\_\_ M \_\_\_\_\_ D

Product Information	Product Name		Serial Number		
	Product Model Number		Manufacturing Date		
Customer Information	Company Name		Contact		
	Address		Phone		
Sales Information	Dealer Name		Contact		
	Address		Phone		
	Date of Purchase		Invoice No.		
Maintenance Record	Description of Malfunction	Maintenance Results	Customer Signature	Maintenance Technician Signature	Maintenance Date

This copy shall be cut along the dotted line and kept by the dealer.

Product Information	Product Name		Serial Number		
	Product Model Number		Manufacturing Date		
Customer Information	Company Name		Contact		
	Address		Phone		
Sales Information	Dealer Name		Contact		
	Address		Phone		
	Date of Purchase		Invoice No.		
Maintenance Record	Description of Malfunction	Maintenance Results	Customer Signature	Maintenance Technician Signature	Maintenance Date