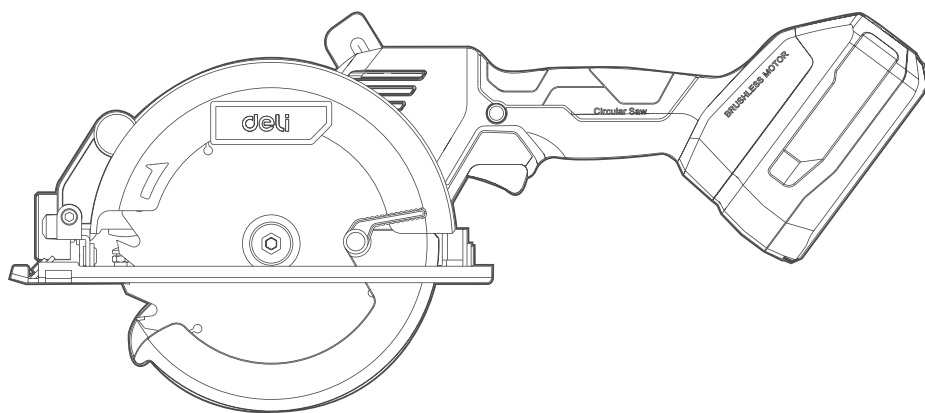


deli


DE-YJ20-1D4



EN Lithium-Ion Circular Saw
DE Scie circulaire au lithium-ion
FR Lithium-Ionen-Kreissäge
ES Sierra circular de iones de litio

PT Serra circular de íões de lítio
RU Литий-ионная циркулярная пила
AR الالاسلكي منشار دائري

Specifications

Model		DE-YJ20-1D4
Rated voltage		20V 
Max. no-load speed		6900/min
Max. blade size		150mm
Cutting capacity	90°cutting capacity	56mm
	45°cutting capacity	39mm
Bevel cutting range		0-45°
Machine weight		1.78kg

The initial battery capacity can be up to 20V, and the value under normal use is 18V.

Warning! Please only use the listed battery packs and chargers. Using other types of battery packs or chargers may cause personal injury and/or fire.

It is recommended to select the accessories from the store where you purchased your power tool. Please select the correct accessories for your job. Please refer to the accessories package for more usage and help.

Battery pack	DE-DC20A2	2.0Ah
	DE-DC20A3	2.5Ah
	DE-DC20A4	4.0Ah
	DE-DC20A5	5.0Ah
	DE-DC20A6	6.0Ah
	DE-DC20B8	8.0Ah
Charger	DE-CD20A2E	2A Single charge
	DE-CD20D4E	4A Dual charge
	DE-CD20A8E	8A Single charge

Symbols

 Read the instruction manual	 Warning sign	 Please wear protective gloves	 Please wear protective mask
 Please wear protective earmuffs	 Please wear safety glasses	 Do not put it into the water	 Do not put it into the fire
 Aluminum	 Metal	 Lock	 Unlock
 Wood	 Saw blade	 Plastic	 Ceramic tile
 Wrong	 Correct	 Batteries contain lithium ion. To protect the environment, the discarded batteries should be sorted and recycled, and should not be thrown into the trash can.	
 Please remove the battery pack before replacing accessories	 EAC customs union certificate		

Original Instructions

General power tool safety warnings

WARNING Read all safety warnings, instructions, illustrations and specifications provided with this power tool. Failure to follow all instructions listed below may result in electric shock, fire and/or serious injury.

Save all warnings and instructions for future reference. The term "power tool" in the warnings refers to your mains-operated (corded) power tool or battery-operated (cordless) power tool.

Work area safety

1. **Keep work area clean and well lit.** Cluttered or dark areas invite accidents.
2. **Do not operate power tools in explosive atmospheres, such as in the presence of flammable liquids, gases or dust.** Power tools create sparks which may ignite the dust/fumes.
3. **Keep children and bystanders away while operating a power tool.** Distractions can cause you to lose control.

Electrical safety

1. **Power tool plugs must match the outlet. Never modify the plug in any way. Do not use any adapter plugs with earthed (grounded) power tools.** Unmodified plugs and matching outlets will reduce risk of electric shock.
2. **Avoid body contact with earthed or grounded surfaces, such as pipes, radiators, ranges and refrigerators.** There is an increased risk of electric shock if your body is earthed or grounded.
3. **Do not expose power tools to rain or wet conditions.** Water entering a power tool will increase the risk of electric shock.
4. **Do not abuse the cord. Never use the cord for carrying, pulling or unplugging the power tool. Keep cord away from heat, oil, sharp edges or moving parts.** Damaged or entangled cords increase the risk of electric shock.
5. **When operating a power tool outdoors, use an extension cord suitable for outdoor use.** Use of a cord suitable for outdoor use reduces the risk of electric shock.
6. **If operating a power tool in a damp location is unavoidable, use a residual current device (RCD) protected supply.** Use of an RCD reduces the risk of electric shock.

Personal safety

1. **Stay alert, watch what you are doing and use common sense when operating a power tool. Do not use a power tool while you are tired or under the influence of drugs, alcohol or medication.** A moment of inattention while operating power tools may result in serious personal injury.
2. **Use personal protective equipment. Always wear eye protection.** Protective equipment such as a dust mask, non-skid safety shoes, hard hat or hearing protection used for appropriate conditions will reduce personal injuries.
3. **Prevent unintentional starting. Ensure the switch is in the off-position before connecting to power source and/or battery pack, picking up or carrying the tool.** Carrying power tools with your finger on the switch or energising power tools that have the switch on invites accidents.
4. **Remove any adjusting key or wrench before turning the power tool on.** A wrench or a key left attached to a rotating part of the power tool may result in personal injury.
5. **Do not overreach. Keep proper footing and balance at all times.** This enables better control of the power tool in unexpected situations.
6. **Dress properly. Do not wear loose clothing or jewellery. Keep your hair and clothing away from moving parts.** Loose clothes, jewellery or long hair can be caught in moving parts.
7. **If devices are provided for the connection of dust extraction and collection facilities, ensure these are connected and properly used.** Use of dust collection can reduce dust-related hazards.
8. **Do not let familiarity gained from frequent use of tools allow you to become complacent and ignore tool safety principles.** A careless action can cause severe injury within a fraction of a second.

Power tool use and care

1. **Do not force the power tool. Use the correct power tool for your application.** The correct power tool will do the job better and safer at the rate for which it was designed.
2. **Do not use the power tool if the switch does not turn it on and off.** Any power tool that cannot be controlled with the switch is dangerous and must be repaired.

3. **Disconnect the plug from the power source and/or remove the battery pack, if detachable, from the power tool before making any adjustments, changing accessories, or storing power tools.** Such preventive safety measures reduce the risk of starting the power tool accidentally.
4. **Store idle power tools out of the reach of children and do not allow persons unfamiliar with the power tool or these instructions to operate the power tool.** Power tools are dangerous in the hands of untrained users.
5. **Maintain power tools and accessories. Check for misalignment or binding of moving parts, breakage of parts and any other condition that may affect the power tool's operation. If damaged, have the power tool repaired before use.** Many accidents are caused by poorly maintained power tools.
6. **Keep cutting tools sharp and clean.** Properly maintained cutting tools with sharp cutting edges are less likely to bind and are easier to control.
7. **Use the power tool, accessories and tool bits etc. in accordance with these instructions, taking into account the working conditions and the work to be performed.** Use of the power tool for operations different from those intended could result in a hazardous situation.
8. **Keep handles and grasping surfaces dry, clean and free from oil and grease.** Slippery handles and grasping surfaces do not allow for safe handling and control of the tool in unexpected situations.

Battery tool use and care

1. **Recharge only with the charger specified by the manufacturer.** A charger that is suitable for one type of battery pack may create a risk of fire when used with another battery pack.
2. **Use power tools only with specifically designated battery packs.** Use of any other battery packs may create a risk of injury and fire.
3. **When battery pack is not in use, keep it away from other metal objects, like paper clips, coins, keys, nails, screws or other small metal objects, that can make a connection from one terminal to another.** Shorting the battery terminals together may cause burns or a fire.
4. **Under abusive conditions, liquid**

may be ejected from the battery; avoid contact. If contact accidentally occurs, flush with water. If liquid contacts eyes, additionally seek medical help. Liquid ejected from the battery may cause irritation or burns.

5. **Do not use a battery pack or tool that is damaged or modified.** Damaged or modified batteries may exhibit unpredictable behaviour resulting in fire, explosion or risk of injury.
6. **Do not expose a battery pack or tool to fire or excessive temperature.** Exposure to fire or temperature above 130 °C may cause explosion.
7. **Follow all charging instructions and do not charge the battery pack or tool outside the temperature range specified in the instructions.** Charging improperly or at temperatures outside the specified range may damage the battery and increase the risk of fire.

Service

1. **Have your power tool serviced by a qualified repair person using only identical replacement parts.** This will ensure that the safety of the power tool is maintained.
2. **Never service damaged battery packs.** Service of battery packs should only be performed by the manufacturer or authorized service providers.

Additional safety instructions for all saws

Cutting procedures

1. **DANGER: Keep hands away from cutting area and the blade. Keep your second hand on auxiliary handle, or motor housing.** If both hands are holding the saw, they cannot be cut by the blade.
2. **Do not reach underneath the workpiece.** The guard cannot protect you from the blade below the workpiece.
3. **Adjust the cutting depth to the thickness of the workpiece.** Less than a full tooth of the blade teeth should be visible below the workpiece.
4. **Never hold the workpiece in your hands or across your leg while cutting. Secure the workpiece to a stable platform.** It is important to support the work properly to minimise body exposure, blade binding, or loss of control.

5. **Hold the power tool by insulated gripping surfaces, when performing an operation where the cutting tool may contact hidden wiring or its own cord.** Contact with a "live" wire will also make exposed metal parts of the power tool "live" and could give the operator an electric shock.
6. **When ripping, always use a rip fence or straight edge guide.** This improves the accuracy of cut and reduces the chance of blade binding.
7. **Always use blades with correct size and shape (diamond versus round) of arbour holes.** Blades that do not match the mounting hardware of the saw will run off-centre, causing loss of control.
8. **Never use damaged or incorrect blade washers or bolt.** The blade washers and bolt were specially designed for your saw, for optimum performance and safety of operation.

Further safety instructions for all saws Kickback causes and related warnings

- kickback is a sudden reaction to a pinched, jammed or misaligned saw blade, causing an uncontrolled saw to lift up and out of the workpiece toward the operator;
- when the blade is pinched or jammed tightly by the kerf closing down, the blade stalls and the motor reaction drives the unit rapidly back toward the operator;
- if the blade becomes twisted or misaligned in the cut, the teeth at the back edge of the blade can dig into the top surface of the wood causing the blade to climb out of the kerf and jump back toward the operator.

Kickback is the result of saw misuse and/or incorrect operating procedures or conditions and can be avoided by taking proper precautions as given below.

1. **Maintain a firm grip with both hands on the saw and position your arms to resist kickback forces. Position your body to either side of the blade, but not in line with the blade.** Kickback could cause the saw to jump backwards, but kickback forces can be controlled by the operator, if proper precautions are taken.
2. **When blade is binding, or when interrupting a cut for any reason, release the trigger and hold the saw motionless in the material until the blade comes to a complete stop. Never attempt to remove the saw from the work or pull the saw backward while the blade is in motion or kickback may occur.** Investigate and take corrective actions to eliminate the cause of blade binding.

3. **When restarting a saw in the workpiece, centre the saw blade in the kerf so that the saw teeth are not engaged into the material.** If a saw blade binds, it may walk up or kickback from the workpiece as the saw is restarted.
4. **Support large panels to minimise the risk of blade pinching and kickback.** Large panels tend to sag under their own weight. Supports must be placed under the panel on both sides, near the line of cut and near the edge of the panel.
5. **Do not use dull or damaged blades.** Unsharpened or improperly set blades produce narrow kerf causing excessive friction, blade binding and kickback.
6. **Blade depth and bevel adjusting locking levers must be tight and secure before making the cut.** If blade adjustment shifts while cutting, it may cause binding and kickback.
7. **Use extra caution when sawing into existing walls or other blind areas.** The protruding blade may cut objects that can cause kickback.

Safety instructions for saws with pendulum guard and saws with tow guard

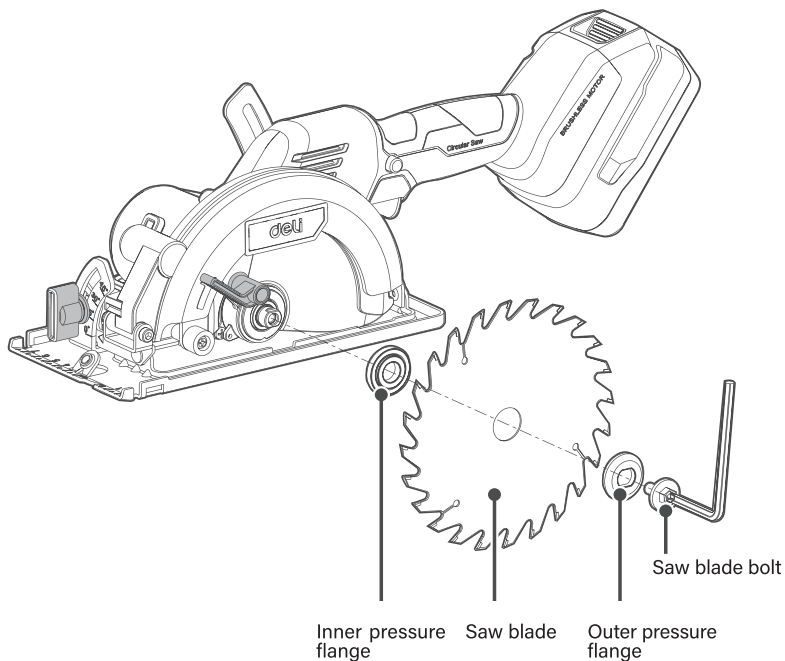
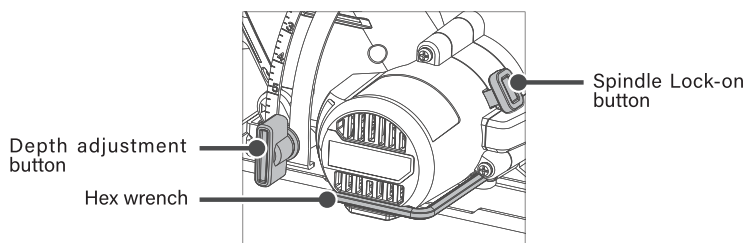
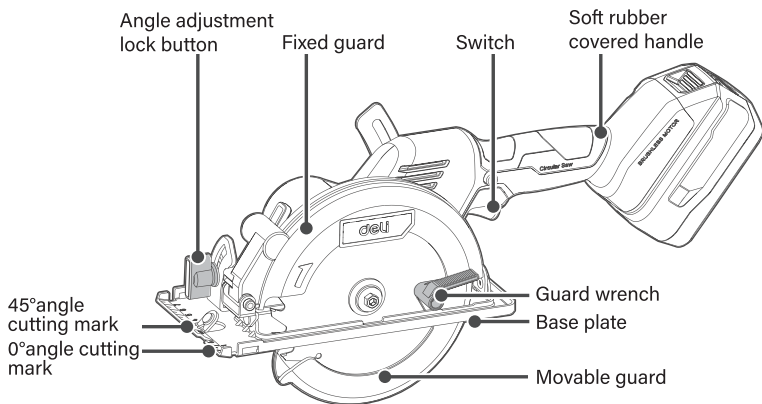
Lower guard function

1. **Check the lower guard for proper closing before each use. Do not operate the saw if the lower guard does not move freely and close instantly. Never clamp or tie the lower guard into the open position.** If the saw is accidentally dropped, the lower guard may be bent. Raise the lower guard with the retracting handle and make sure it moves freely and does not touch the blade or any other part, in all angles and depths of cut.
2. **Check the operation of the lower guard spring. If the guard and the spring are not operating properly, they must be serviced before use.** Lower guard may operate sluggishly due to damaged parts, gummy deposits, or a build-up of debris.
3. **The lower guard may be retracted manually only for special cuts such as "plunge cuts" and "compound cuts": Raise the lower guard by the retracting handle and as soon as the blade enters the material, the lower guard must be released.** For all other sawing, the lower guard should operate automatically.
4. **Always observe that the lower guard is covering the blade before placing the saw down on bench or floor.** An unprotected, coasting blade will cause the saw to walk backwards, cutting whatever is in its path. Be aware of the time it takes for the blade to stop after switch is released.

Additional safety instructions for all saws with riving knife

Riving knife function

1. **Use the appropriate saw blade for the riving knife.** For the riving knife to function, the body of the blade must be thinner than the riving knife and the cutting width of the blade must be wider than the thickness of the riving knife.
2. **Adjust the riving knife as described in this instruction manual.** Incorrect spacing, positioning and alignment can make the riving knife ineffective in preventing kickback.
3. **Always use the riving knife except when plunge cutting.** The riving knife must be replaced after plunge cutting. The riving knife causes interference during plunge cutting and can create kickback.
4. **For the riving knife to work, it must be engaged in the workpiece.** The riving knife is ineffective in preventing kickback during short cuts.
5. **Do not operate the saw if the riving knife is bent.** Even a light interference can slow the closing rate of a guard.



* Some of the accessories mentioned in the illustrations or text are not included in the scope of supply.

Note: Read the instruction manual before operation.

1 Install/remove battery pack

When installing or removing the battery pack, ensure that the machine is in a shutdown state;
When removing the battery pack, press the button above the battery pack while pulling it out of the tool;
When installing the battery pack, align the reed on the battery pack with the groove on the tool housing, and then slide it into place. Insert it fully into place until the battery pack is locked and clicks. If it is not installed properly, it may cause the battery pack to detach from the tool, leading to personal injury.

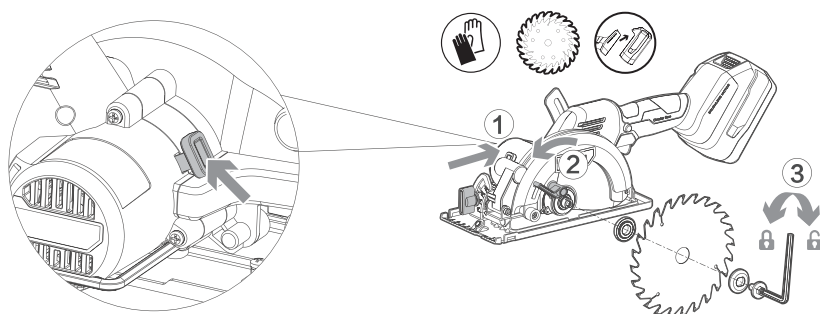
2 Install/remove drill bit



Warning!

Always remove the battery pack before replacing the saw blade!

When removing the power circular saw blade, firmly press the spindle lock button to prevent the power circular saw blade from rotating. Then, loosen the hexagonal bolt with a hexagonal wrench, and remove the saw blade bolt, outer pressure flange, power circular saw blade and inner pressure flange. Install the power circular saw blade in the reverse order of removal.



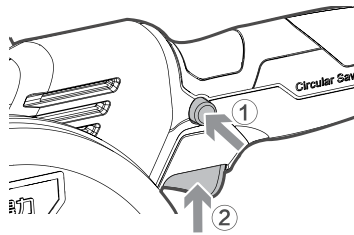
3 Switch operation



Warning! To avoid being cut by the saw blade, do not place your hands on the base plate.

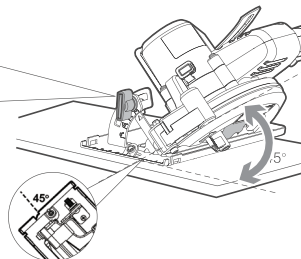
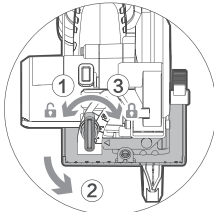
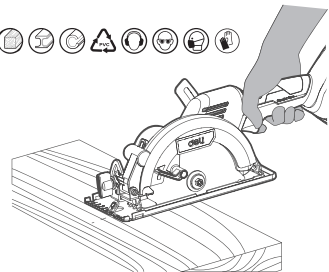
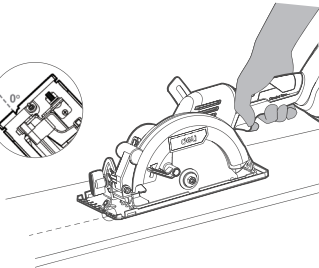
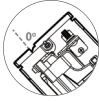
Warning! Before inserting the battery pack into the tool, always check whether the switch trigger can be pulled freely and whether it can return to the original position when released.

This tool has a lock button which can prevent users from accidentally pulling the switch trigger. To start the tool, press the lock button and then pull the switch trigger. Release the switch trigger to stop the tool.



4 Depth gauge

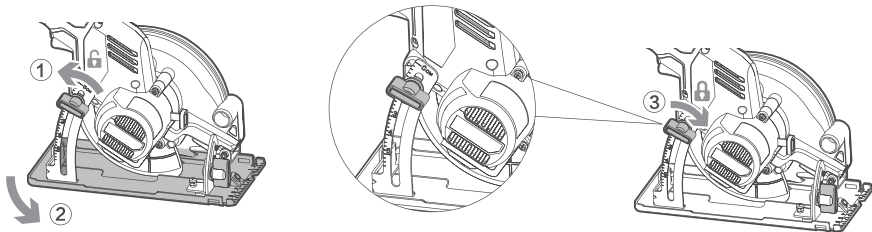
The depth gauge is a tool that is easy to use and ensures uniform drilling depth. First, loosen the depth gauge lock button counterclockwise, then slide the depth gauge until the distance from the front end of the depth gauge to the drill bit reaches the desired depth for drilling. Then, rotate the depth gauge lock button clockwise to lock the depth gauge.



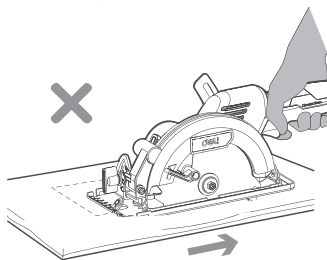
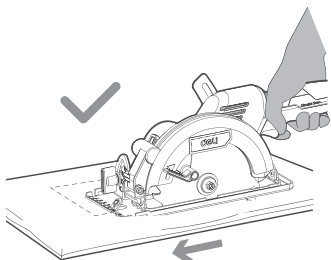
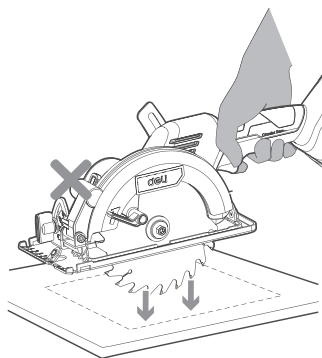
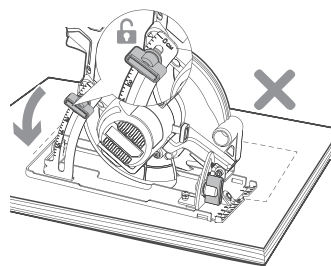
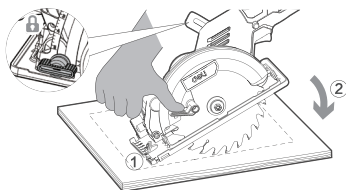
5 Adjust the cutting angle



Warning! Always tighten the depth adjustment button after adjusting the cutting depth.



6 Make a hole on the wood plate



Product Warranty Card

Dear users :

Thank you for buying our products. In order to ensure your profit, users who buy our products can contact local distributor or Specified repair stations with invoice and warranty cards if the product failures due to quality problems.

Warranty Notice:

1. From _____ (Year/Month/Day) to _____ (Year/Month/Day), If the failure happen in normal use, our company will provide free warranty, parts replacement and other services according to the failure situation.
2. This warranty card and purchase invoice are the voucher of after-sales service provided by our company to customers. The card must be detailed only after filling in the following form and affixing the official seal with the distributor.
3. In one of the following cases, free warranty service will be invalid, and maintenance fees will be required:
 - (1) Exceed the expiration date.
 - (2) Failure or damage caused by not following the requirements of the product manual, maintenance or improper storage.
 - (3) Failure or damage caused by disassembling, repairing or modification of the product without the permission of our company.
 - (4) Machine breakdown or damage caused by force majeure.
 - (5) Consumable accessories.

This card is issued with the product. One card for one machine, to ensure that you can fully enjoy the right to free warranty service provided by the company, please keep this card properly, lost will not be replaced.

Purchase Date: _____ (Year/Month/Day)

Product Certificate

Inspector:

01

Date of manufacture:

NINGBO DELI TOOLS CO., LTD.
No. 128 Chezhan West Road, Huangtan Town,
Ninghai County, Ningbo, Zhejiang, China
delitoolsglobal@nbdeli.com
www.delitoolsglobal.com
+86 574 87562689
MADE IN CHINA

Reserved for future use
Version: 1.0
Date: June., 2022



Technische Daten

Modell		DE-YJ20-1D4
Nennspannung		20V $\overline{\text{=}}$
Max. Leerlaufdrehzahl		6900/min
Max. Blattgröße		150mm
Schneidleistung	90° Schneidleistung	56mm
	45° Schneidleistung	39mm
Fasenschnittbereich		0-45°
Maschinengewicht		1.78kg

Die Anfangskapazität des Akkus kann bis zu 20V betragen, bei normaler Nutzung liegt dieser Wert bei 18 V.

⚠ Achtung! Verwenden Sie nur die aufgelisteten Akkupacks und Ladegeräte. Die Verwendung anderer Akkupacks oder Ladegeräte kann zu Verletzungen und/oder Brand führen.

Es wird empfohlen, das Zubehör in dem Geschäft zu erwerben, in dem Sie Ihr Elektrowerkzeug gekauft haben. Bitte wählen Sie das richtige Zubehör für Ihre Arbeit. Weitere Informationen zur Verwendung und Hilfe finden Sie im Zubehörpaket.

Akkupack	DE-DC20A2	2.0Ah
	DE-DC20A3	2.5Ah
	DE-DC20A4	4.0Ah
	DE-DC20A5	5.0Ah
	DE-DC20A6	6.0Ah
	DE-DC20B8	8.0Ah
Ladegerät	DE-CD20A2E	2 A Einzelladung
	DE-CD20D4E	4 A Doppelladung
	DE-CD20A8E	8 A Einzelladung

Symbole

 Lesen Sie die Anleitung	 Warnzeichen	 Tragen Sie Schutzhandschuhe	 Tragen Sie Schutzmasken
 Tragen Sie einen Gehörschutz	 Tragen Sie eine Schutzbrille	 Nicht ins Wasser tauchen	 Nicht ins Feuer legen
 Aluminium	 Metall	 Sperre	 Entriegeln
 Holz	 Sägeblatt	 Kunststoff	 Keramikfliesen
 Falsch	 Richtig	 Die Akkus enthalten Lithium-Ionen. Aus Umweltschutzgründen sollten die gebrauchten Akkus sortiert und recycelt werden und gehören nicht in den Mülleimer	
 Vor dem Zubehörwechsel ist der Akkupack zu entfernen	 Zollunions-zertifikat		

Originalanleitung

Allgemeine Sicherheitshinweise für Elektrowerkzeuge

ACHTUNG Lesen Sie alle Sicherheitshinweise, Anweisungen, Abbildungen und Spezifikationen, die diesem Elektrowerkzeug beiliegen.

Die Nichtbeachtung aller unten aufgeführten Anweisungen kann zu einem Stromschlag, Brand und/oder schweren Verletzungen führen.

Verwahren Sie alle Warnhinweise und Anweisungen für zukünftigen Gebrauch. Der Begriff „Elektrowerkzeug“ in den Warnhinweisen bezieht sich auf Ihr netzbetriebenes (schnurgebundenes) Elektrowerkzeug oder akkubetriebenes (schnurloses) Elektrowerkzeug.

Sicherheit im Arbeitsbereich

- Halten Sie den Arbeitsbereich sauber und gut beleuchtet.** Unaufgeräumte oder dunkle Bereiche laden zu Unfällen ein.
- Betreiben Sie Elektrowerkzeuge nicht in explosionsgefährdeten Bereichen, wie z. B. bei Vorhandensein von brennbaren Flüssigkeiten, Gasen oder Staub.** Elektrowerkzeuge erzeugen Funken, die Staub oder Dämpfe entzünden können.
- Halten Sie Kinder und Zuschauer fern, während Sie ein Elektrowerkzeug bedienen.** Ablenkungen können dazu führen, dass Sie die Kontrolle verlieren.

Elektrische Sicherheit

- Die Stecker von Elektrowerkzeugen müssen zur Steckdose passen. Verändern Sie niemals den Stecker in irgendeiner Weise. Verwenden Sie keine Adapterstecker mit geerdeten Elektrowerkzeugen.** Unveränderte Stecker und passende Steckdosen verringern das Risiko eines Stromschlags.
- Vermeiden Sie Körperkontakt mit geerdeten Oberflächen wie z. B. Rohren, Heizkörpern, Herden und Kühlschränken.** Es besteht ein erhöhtes Risiko eines Stromschlags, wenn Ihr Körper geerdet ist.
- Setzen Sie Elektrowerkzeuge nicht Regen oder Nässe aus.** Wenn Wasser in ein Elektrowerkzeug eindringt, erhöht sich die Gefahr eines Stromschlags.
- Missbrauchen Sie das Kabel nicht. Benutzen Sie das Kabel niemals zum Tragen, Ziehen oder Ausstecken des Elektrowerkzeugs. Halten Sie das Netzkabel von Hitze, Flüssigkeiten, scharfen Kanten und beweglichen Teilen fern.** Beschädigte oder verwickelte Kabel erhöhen das Risiko eines Stromschlags.

- Wenn Sie ein Elektrowerkzeug im Freien betreiben, verwenden Sie ein für den Außenbereich geeignetes Verlängerungskabel.** Die Verwendung eines für den Außenbereich geeigneten Kabels verringert die Gefahr eines Stromschlags.
- Falls der Betrieb eines Elektrowerkzeugs in einer feuchten Umgebung unvermeidlich ist, verwenden Sie eine durch einen Fehlerstromschutzschalter (FI) geschützte Stromversorgung.** Die Verwendung eines FI-Schutzschalters verringert die Gefahr eines Stromschlags.

Persönliche Sicherheit

- Seien Sie wachsam, achten Sie darauf, was Sie tun, und nutzen Sie Ihren gesunden Menschenverstand, wenn Sie ein Elektrowerkzeug bedienen. Verwenden Sie ein Elektrowerkzeug nicht, wenn Sie müde sind oder unter dem Einfluss von Drogen, Alkohol oder Medikamenten stehen.** Ein Moment der Unachtsamkeit bei der Bedienung von Elektrowerkzeugen kann zu schweren Verletzungen führen.
- Verwenden Sie eine persönliche Schutzausrüstung. Tragen Sie immer einen Augenschutz.** Schutzausrüstungen wie Staubmaske, rutschfeste Sicherheitsschuhe, Schutzhelm oder Gehörschutz, die unter geeigneten Bedingungen verwendet werden, verringern die Zahl der Personenschäden.
- Verhindern Sie unbeabsichtigtes Starten. Stellen Sie sicher, dass der Schalter in der Aus-Stellung ist, bevor Sie das Gerät an die Stromquelle und/oder den Akkupack anschließen, es in die Hand nehmen oder tragen.** Das Tragen von Elektrowerkzeugen mit dem Finger auf dem Schalter oder das Einschalten von Elektrowerkzeugen, bei denen der Schalter eingeschaltet ist, lädt zu Unfällen ein.
- Ziehen Sie vor dem Einschalten des Elektrowerkzeugs alle Einstellschlüssel oder Schraubenschlüssel ab.** Ein Schraubenschlüssel oder ein Schlüssel, der an einem rotierenden Teil des Elektrowerkzeugs verbleibt, kann zu Verletzungen führen.
- Greifen Sie nicht zu weit. Halten Sie stets einen sicheren Stand und das Gleichgewicht.** Dies ermöglicht eine bessere Kontrolle des Elektrowerkzeugs in unerwarteten Situationen.

6. **Ziehen Sie sich entsprechend passend an. Tragen Sie keine weite Kleidung und keinen Schmuck. Halten Sie Ihr Haar und Ihre Kleidung von beweglichen Teilen fern.** Lockere Kleidung, Schmuck oder lange Haare können sich in beweglichen Teilen verfangen.
7. **Wenn Vorrichtungen zum Anschluss von Staubabsaugungen und -auffangvorrichtungen vorhanden sind, stellen Sie sicher, dass diese angeschlossen sind und ordnungsgemäß verwendet werden.** Die Verwendung einer Staubabsaugung kann die staubbedingten Gefahren verringern.
8. **Achten Sie darauf, dass die durch häufigen Gebrauch von Werkzeugen gewonnene Routine Sie nicht dazu verleitet, selbstgefällig zu werden und die Grundsätze der Werkzeugsicherheit zu ignorieren.** Eine unvorsichtige Handlung kann im Bruchteil einer Sekunde zu schweren Verletzungen führen.

Verwendung und Pflege von Elektrowerkzeugen

1. **Setzen Sie das Elektrowerkzeug nicht mit Gewalt ein. Verwenden Sie das richtige Elektrowerkzeug für Ihre Anwendung.** Das richtige Elektrowerkzeug erledigt die Arbeit besser und sicherer mit der Drehzahl, für die es ausgelegt ist.
2. **Verwenden Sie das Elektrowerkzeug nicht, wenn der Schalter es nicht ein- und ausschaltet.** Jedes Elektrowerkzeug, das sich nicht mit dem Schalter steuern lässt, ist gefährlich und muss repariert werden.
3. **Trennen Sie den Stecker von der Stromquelle und/oder entfernen Sie den Akkupack, falls abnehmbar, vom Elektrowerkzeug, bevor Sie Einstellungen vornehmen, Zubehörteile wechseln oder Elektrowerkzeuge lagern.** Solche vorbeugenden Sicherheitsmaßnahmen verringern das Risiko eines unbeabsichtigten Starts des Elektrowerkzeugs.
4. **Bewahren Sie ungenutzte Elektrowerkzeuge außerhalb der Reichweite von Kindern auf und erlauben Sie Personen, die mit dem Elektrowerkzeug oder dieser Anleitung nicht vertraut sind, nicht, das Elektrowerkzeug zu bedienen.** Elektrowerkzeuge sind in den Händen ungeschulter Benutzer gefährlich.
5. **Pflegen Sie Elektrowerkzeuge und Zubehör. Prüfen Sie, ob bewegliche Teile falsch ausgerichtet sind oder**

klemmen, ob Teile gebrochen sind und ob andere Bedingungen vorliegen, die den Betrieb des Elektrowerkzeugs beeinträchtigen können. Lassen Sie das Elektrowerkzeug bei Beschädigung vor der Verwendung reparieren. Viele Unfälle werden durch schlecht gewartete Elektrowerkzeuge verursacht.

6. **Halten Sie Schneidwerkzeuge scharf und sauber.** Ordnungsgemäß gewartete Schneidwerkzeuge mit scharfen Schneidkanten verklemmen sich seltener und sind leichter zu kontrollieren.
7. **Verwenden Sie das Elektrowerkzeug, das Zubehör, die Bits usw. gemäß dieser Anleitung und unter Berücksichtigung der Arbeitsbedingungen und der auszuführenden Arbeiten.** Die Verwendung des Elektrowerkzeugs für andere als die vorgesehenen Arbeiten kann zu gefährlichen Situationen führen.
8. **Halten Sie Griffe und Griffflächen trocken, sauber und frei von Öl und Fett.** Rutschige Griffe und Griffflächen ermöglichen keine sichere Handhabung und Kontrolle des Geräts in unerwarteten Situationen.

Verwendung und Pflege von Akkuwerkzeugen

1. **Laden Sie nur mit dem vom Hersteller empfohlenen Ladegerät auf.** Ein für einen bestimmten Akkutyp geeignetes Ladegerät kann bei Verwendung mit einem anderen Akkutyp eine Brandgefahr darstellen.
2. **Verwenden Sie Elektrowerkzeuge nur mit den speziell dafür vorgesehenen Akkus.** Die Verwendung anderer Akkus kann Verletzungs- und Brandgefahr mit sich bringen.
3. **Halten Sie den Akku bei Nichtgebrauch von anderen Metallgegenständen wie Büroklammern, Münzen, Schlüsseln, Nägeln, Schrauben oder anderen kleinen Metallgegenständen fern, die eine Verbindung zwischen den Polklemmen herstellen können.** Das Kurzschließen der Akkupolklemmen kann zu Verbrennungen oder einem Brand führen.
4. **Bei unsachgemäßem Gebrauch kann Flüssigkeit aus der Batterie austreten; bitte vermeiden Sie den Kontakt damit. Bei unbeabsichtigtem Kontakt sollte die betroffene Stelle mit Wasser gespült werden. Bei Kontakt der Flüssigkeit mit den Augen muss zusätzlich ein Arzt aufgesucht werden.** Die aus dem Akku austretende Flüssigkeit kann Reizungen oder Verbrennungen verursachen.

5. **Verwenden Sie keine beschädigten oder modifizierten Akkus oder Werkzeuge.** Beschädigte oder modifizierte Akkus können ein unvorhersehbares Verhalten zeigen, das zu Brand, Explosion oder Verletzungen führen kann.
6. **Setzen Sie einen Akku oder ein Werkzeug keinem Feuer oder überhöhten Temperaturen aus.** Ein Kontakt mit Feuer oder bei Temperaturen über 130 °C kann eine Explosion verursachen.
7. **Befolgen Sie alle Ladeanweisungen und laden Sie den Akku oder das Werkzeug niemals bei Temperaturen außerhalb des in den Anweisungen angegebenen Bereichs.** Unsachgemäßes Laden oder Laden bei Temperaturen außerhalb des angegebenen Bereichs kann den Akku beschädigen und die Brandgefahr erhöhen.

Wartung

1. **Lassen Sie Ihr Elektrowerkzeug von einem qualifizierten Servicetechniker warten, der nur identische Ersatzteile verwendet.** Dadurch wird sichergestellt, dass die Sicherheit des Elektrowerkzeugs erhalten bleibt.
2. **Warten Sie niemals beschädigte Akkupacks.** Die Wartung von Akkupacks sollte nur vom Hersteller oder von autorisierten Servicestellen durchgeführt werden.

Zusätzliche Sicherheitshinweise für alle Sägen

Schnittverfahren

1. **GEFAHR: Halten Sie die Hände vom Schnittbereich und dem Sägeblatt fern. Halten Sie Ihre zweite Hand am Zusatzhandgriff oder am Motorgehäuse.** Wenn Sie die Säge mit beiden Händen halten, können sie nicht vom Sägeblatt erfasst werden.
2. **Greifen Sie nicht unter das Werkstück.** Die Schutzvorrichtung kann Sie nicht vor dem Sägeblatt unterhalb des Werkstücks schützen.
3. **Passen Sie die Schnitttiefe an die Dicke des Werkstücks an.** Unterhalb des Werkstücks sollte weniger als ein ganzer Zahn des Sägeblatts sichtbar sein.
4. **Halten Sie das Werkstück beim Schneiden niemals in den Händen oder quer über das Bein. Sichern Sie das Werkstück auf einer stabilen Plattform.** Es ist wichtig, das Werkstück richtig abzustützen, um die Belastung des Körpers, das Einklemmen des Sägeblatts oder den Verlust der Kontrolle zu minimieren.
5. **Halten Sie das Elektrowerkzeug immer an den isolierten Griffflächen fest, wenn Sie eine Arbeit ausführen, bei dem das**

Schneidwerkzeug verborgene Leitungen oder das eigene Kabel berühren kann.

Der Kontakt mit einer „spannungsführenden“ Leitung kann freiliegende Metallteile des Elektrowerkzeugs „unter Spannung bringen“ und dem Bediener einen Stromschlag versetzen.

6. **Verwenden Sie beim Längsschneiden immer einen Parallelanschlag oder eine Führung mit gerader Kante.** Dadurch wird die Schnittgenauigkeit verbessert und die Gefahr des Einklemmens des Sägeblatts verringert.
7. **Verwenden Sie immer Blätter mit der richtigen Größe und Form der Bohrungen (diamantförmig bzw. rund).** Blätter, die nicht zu den Befestigungselementen der Säge passen, laufen außermittig und verursachen einen Kontrollverlust.
8. **Verwenden Sie niemals beschädigte oder falsche Blattscheiben oder Schrauben.** Die Blattscheiben und -schrauben wurden speziell für diese Säge entwickelt, um optimale Leistung und Betriebssicherheit zu gewährleisten.

Weitere Sicherheitshinweise für alle Sägen

Rückschlagursachen und entsprechende Warnhinweise

- Rückschlag ist eine plötzliche Reaktion auf ein eingeklemmtes, blockiertes oder falsch ausgerichtetes Sägeblatt, die eine unkontrollierte Anhebung der Säge aus dem Werkstück heraus in Richtung des Bedieners bewirkt;
- Wenn das Sägeblatt durch die sich schließende Schnittfuge eingeklemmt oder blockiert wird, wird das Sägeblatt abgewürgt und der Motor treibt das Gerät schnell zum Bediener zurück;
- Wenn das Sägeblatt im Schnitt verdreht oder falsch ausgerichtet wird, können sich die Zähne an der hinteren Kante des Sägeblatts in die obere Oberfläche des Holzes eingraben, was dazu führt, dass das Sägeblatt aus dem Schnittpalt steigt und zum Bediener

Ein Rückschlag ist die Folge von unsachgemäßem Gebrauch der Säge und/oder falschen Betriebsverfahren oder -bedingungen und kann durch die nachstehend beschriebenen Vorsichtsmaßnahmen vermieden werden.

1. **Halten Sie die Säge mit beiden Händen fest im Griff und positionieren Sie Ihre Arme so, dass sie dem Rückschlag entgegenwirken. Positionieren Sie Ihren Körper seitlich vom Sägeblatt, jedoch nicht in einer Linie mit dem Sägeblatt.** Ein Rückschlag kann dazu führen, dass die Säge nach hinten springt, aber die Rückschlagkraft kann vom Bediener kontrolliert werden, wenn die richtigen Vorsichtsmaßnahmen getroffen werden.

2. **Wenn das Sägeblatt klemmt oder wenn Sie einen Schnitt aus irgendeinem Grund unterbrechen, lassen Sie den Abzug los und halten Sie die Säge so lange bewegungslos im Material, bis das Sägeblatt vollständig zum Stillstand gekommen ist. Versuchen Sie niemals, die Säge vom Werkstück zu entfernen oder die Säge rückwärts zu ziehen, während das Sägeblatt in Bewegung ist, da es sonst zu einem Rückschlag kommen kann.** Ermitteln Sie die Ursache für das Blockieren der Scheibe und ergreifen Sie entsprechende Maßnahmen.
 3. **Wenn Sie eine Säge im Werkstück wieder in Gang setzen, zentrieren Sie das Sägeblatt in der Schnittfuge, so dass die Sägezähne nicht in das Material eingreifen.** Wenn ein Sägeblatt klemmt, kann es beim erneuten Starten der Säge am Werkstück hochlaufen oder zurückschlagen.
 4. **Stützen Sie große Platten ab, um das Risiko des Einklemmens des Sägeblatts und des Rückschlags zu minimieren.** Große Platten können unter ihrem eigenen Gewicht durchhängen. Stützen Sie die Platte auf beiden Seiten, in der Nähe der Schnittlinie und in der Nähe der Plattenkante ab.
 5. **Verwenden Sie keine stumpfen oder beschädigten Sägeblätter.** Ungeschliffene oder falsch eingestellte Sägeblätter erzeugen einen schmalen Schnittpalt, der zu übermäßiger Reibung, zum Verklemmen des Sägeblatts und zum Rückschlag führt.
 6. **Die Verriegelungshebel zum Einstellen der Klingentiefe und der Fase müssen vor dem Schnitt fest angezogen und gesichert sein.** Wenn sich die Einstellung des Sägeblatts während des Schnitts verschiebt, kann dies zum Verklemmen und Rückschlag führen.
 7. **Seien Sie besonders vorsichtig, wenn Sie in bestehende Wände oder andere nicht einsehbare Bereiche sägen.** Das vorstehende Sägeblatt kann Gegenstände durchtrennen, die einen Rückschlag verursachen können.
- lässt. Klemmen oder binden Sie die untere Schutzvorrichtung niemals in der offenen Position fest.** Bei einem versehentlichen Fallenlassen der Säge kann die untere Schutzvorrichtung verbogen werden. Heben Sie die untere Schutzvorrichtung mit dem Rückholgriff an und vergewissern Sie sich, dass sie sich frei bewegt und weder das Sägeblatt noch andere Teile in allen Winkeln und Schnitttiefen berührt.
2. **Überprüfen Sie die Funktion der Feder der unteren Schutzvorrichtung. Wenn der Schutz und die Feder nicht richtig funktionieren, müssen sie vor dem Einsatz gewartet werden.** Die untere Schutzvorrichtung kann aufgrund von beschädigten Teilen, verharteten Belägen oder einer Ansammlung von Ablagerungen nur schwerfällig funktionieren.
 3. **Die untere Schutzvorrichtung darf nur für spezielle Schnitte wie „Einstechschnitte“ und „Verbundschnitte“ manuell zurückgezogen werden. Sobald das Sägeblatt in das Material eindringt, muss die untere Schutzvorrichtung losgelassen werden.** Bei allen anderen Sägearbeiten sollte die untere Schutzvorrichtung automatisch funktionieren.
 4. **Vergewissern Sie sich immer, dass die untere Schutzvorrichtung das Sägeblatt abdeckt, bevor Sie die Säge auf dem Tisch oder dem Boden abstellen.** Ein ungeschütztes, nachlaufendes Sägeblatt führt dazu, dass die Säge rückwärts läuft und dabei alles schneidet, was sich ihr in den Weg stellt. Achten Sie auf die Zeit, die das Sägeblatt benötigt, um nach dem Loslassen des Schalters anzuhalten.

Zusätzliche Sicherheitshinweise für alle Sägen mit Spaltkeil

Spaltkeilfunktion

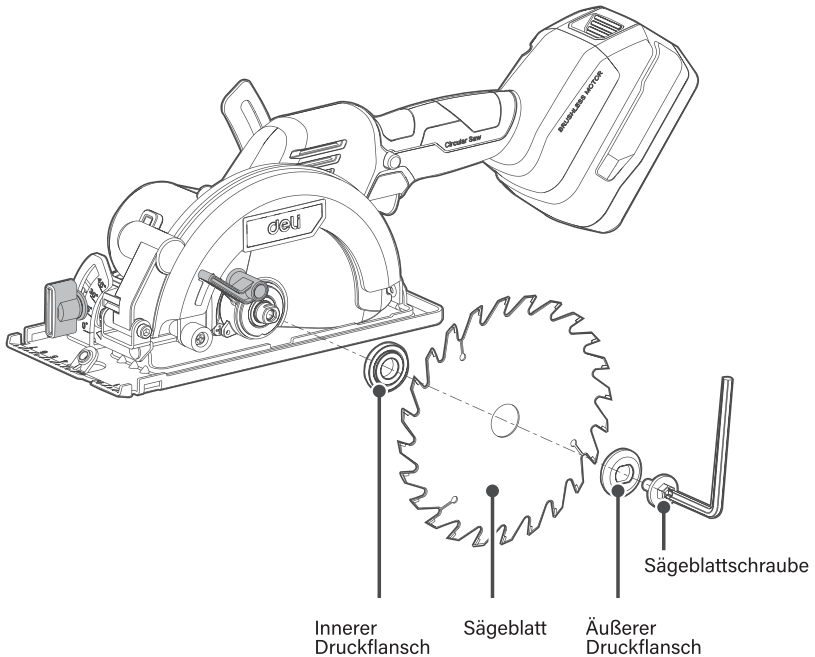
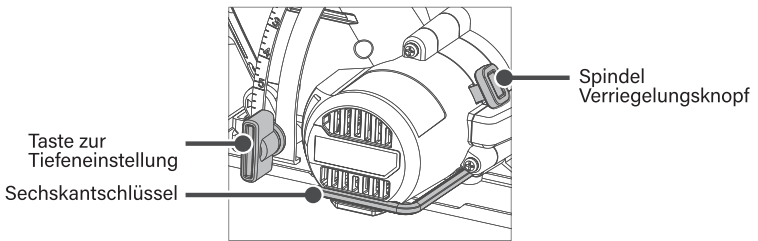
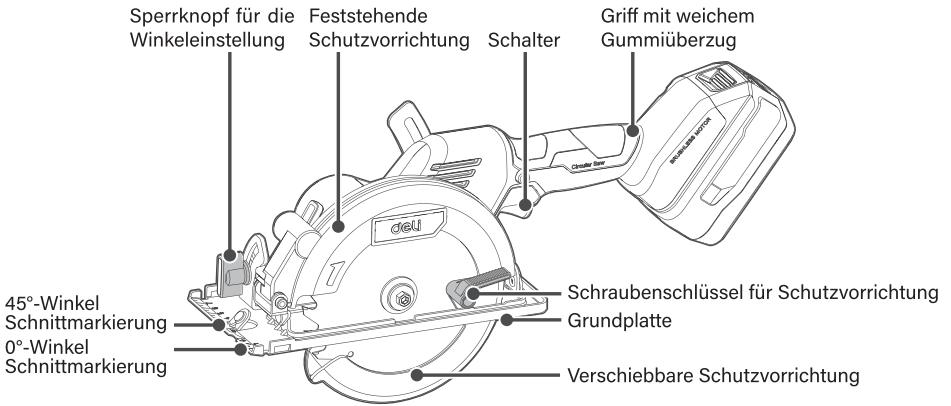
1. **Verwenden Sie das geeignete Sägeblatt für den Spaltkeil.** Voraussetzung für die Funktion des Spaltkeils ist, dass der Blattkörper dünner ist als der Spaltkeil und die Schnittbreite des Blattes größer ist als die Dicke des Spaltkeils.
2. **Stellen Sie den Spaltkeil wie in dieser Bedienungsanleitung beschrieben ein.** Bei falscher Einstellung von Abstand, Positionierung und Ausrichtung kann der Spaltkeil den Rückschlag nicht wirksam verhindern.
3. **Verwenden Sie den Spaltkeil bei allen Arbeiten, außer beim Einstechen.** Der Spaltkeil muss nach dem Einstechen ausgetauscht werden. Der Spaltkeil stört beim Einstechen und kann Rückschläge verursachen.

Sicherheitshinweise für Sägen mit Pendelschutz und Sägen mit Abschleppschutz

Funktionsweise der unteren Schutzvorrichtung

1. **Überprüfen Sie vor jedem Gebrauch, ob die untere Schutzvorrichtung richtig geschlossen ist. Verwenden Sie die Säge nicht, wenn sich die untere Schutzvorrichtung nicht frei bewegen und sofort schließen**

4. **Damit der Spaltkeil funktioniert, muss er in das Werkstück eingreifen.** Bei kurzen Schnitten kann der Spaltkeil einen Rückschlag nicht verhindern.
5. **Betreiben Sie die Säge nicht, wenn der Spaltkeil verbogen ist.** Selbst eine leichte Beeinträchtigung des Spaltkeils kann die Schließgeschwindigkeit einer Schutzvorrichtung verlangsamen.



* Manche der in den Abbildungen oder im Text erwähnten Zubehörteile sind nicht im Lieferumfang enthalten.

Hinweis: Lesen Sie die Bedienungsanleitung vor dem Betrieb durch.

1 Einsetzen oder Entfernen des Akkupacks

Stellen Sie beim Einsetzen oder Entfernen des Akkupacks sicher, dass das Gerät ausgeschaltet ist; Zum Entfernen des Akkupacks drücken Sie den Knopf über dem Akkupack, während Sie ihn aus dem Gerät ziehen;

Richten Sie beim Einsetzen des Akkupacks die Rille des Akkupacks an der Nut des Gerätegehäuses aus und schieben Sie den Akkupack dann ein. Schieben Sie ihn vollständig ein, bis der Akkupack fest sitzt und einrastet. Wird er nicht richtig eingesetzt, kann sich der Akkupack aus dem Gerät lösen und zu Verletzungen führen.

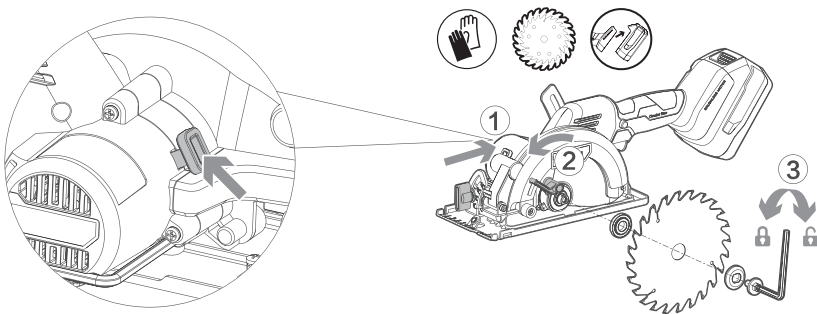
2 Einsetzen und Entfernen des Sägeblattes



Achtung!

Entfernen Sie immer den Akkupack, bevor Sie das Sägeblatt austauschen!

Wenn Sie das Kreissägeblatt ausbauen, drücken Sie die Spindelarrretierungstaste fest, um ein Drehen des Kreissägeblatts zu verhindern. Lösen Sie dann die Sechskantschraube mit einem Sechskantschlüssel und entfernen Sie die Sägeblattschraube, den äußeren Druckflansch, das Motorkreissägeblatt und den inneren Druckflansch. Montieren Sie das Kreissägeblatt in umgekehrter Reihenfolge wie beim Ausbau.



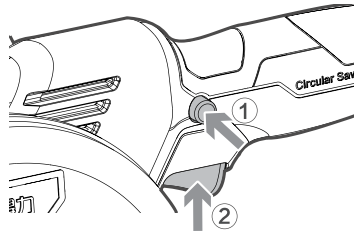
3 Schalterbetrieb



Achtung! Um Schnittverletzungen durch das Sägeblatt zu vermeiden, fassen Sie nicht mit den Händen auf die Grundplatte.

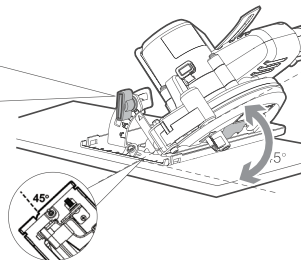
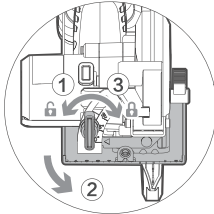
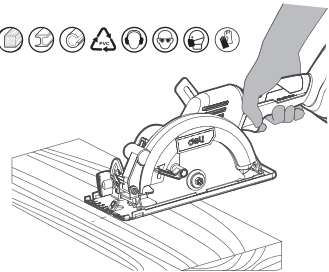
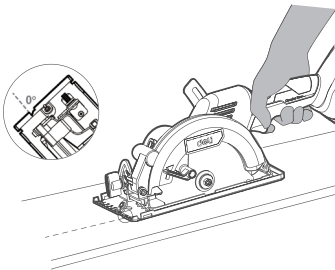
Achtung! Prüfen Sie vor dem Einsetzen des Akkupacks in das Gerät immer, ob sich der Schalterauslöser frei ziehen lässt und ob er in die Aus-Stellung zurückkehrt, wenn er losgelassen wird.

Das Gerät verfügt über eine Sperrtaste, die ein versehentliches Betätigen des Schalters verhindern kann. Drücken Sie zum Starten des Geräts die Sperrtaste und ziehen Sie dann den Schalterauslöser. Lassen Sie den Schalterauslöser los, um das Werkzeug zu stoppen.



4 Schnittausrichtung

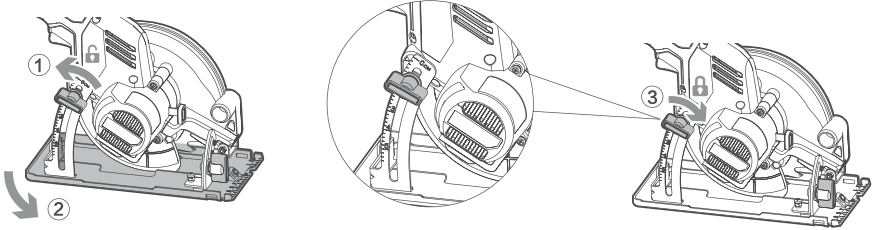
Beim Schneiden in einer geraden Linie richten Sie die 0°-Position des vorderen Endes der Basis mit der Schnittlinie aus. Beim Schneiden in 45° richten Sie die 45°-Position mit der Schnittlinie des Werkzeugs aus.



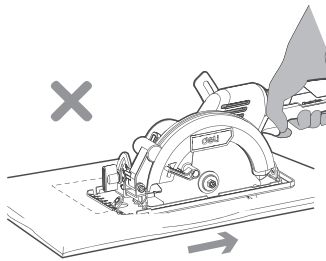
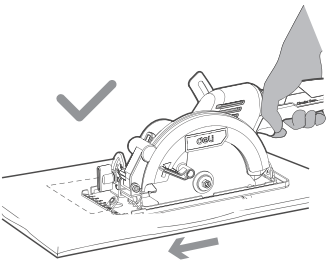
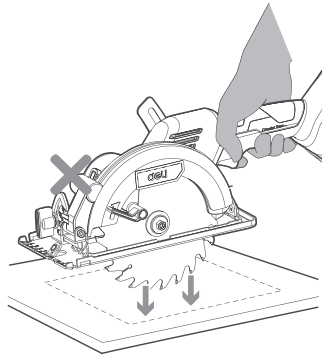
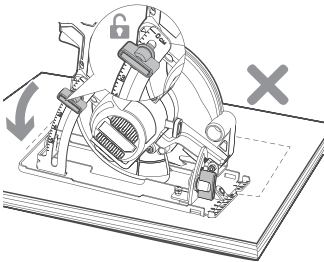
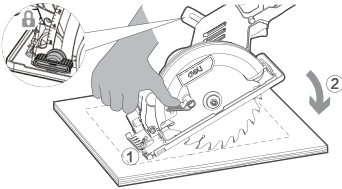
5 Einstellen des Schnittwinkels



Achtung! Ziehen Sie den Tiefeneinstellknopf nach dem Einstellen der Schnitttiefe immer fest.



6 Ein Loch in die Holzplatte bohren



Produktgarantiekarte

Produktgarantiekarte:

Wir bedanken uns, dass Sie sich für unsere Produkte entschieden haben. Im Interesse ihrer Zufriedenheit können sich die Käufer im Falle von Qualitätsproblemen mit der Rechnung und der Garantiekarte an den lokalen Vertriebshändler oder an die angegebene Reparaturstelle wenden.

Garantie Hinweis:

1. Wenn von _____ (Jahr/Monat/Tag) bis _____ (Jahr/Monat/Tag), das Produkt bei bestimmungsgemäßem Gebrauch ausfällt, bietet unser Unternehmen eine kostenlose Garantie, Ersatzteilversorgung und andere Dienstleistungen je nach Problemfall.
2. Diese Garantiekarte und der Kaufbeleg dienen als Nachweise für den von unserem Unternehmen angebotenen Kundendienst. Die Karte darf nur nach Ausfüllen des folgenden Formulars und Anbringen des offiziellen Händlerstempels ausgefüllt werden.
3. Bei folgenden Fällen gilt der kostenlose Garantieservice nicht, und es werden Wartungsgebühren fällig:
 - (1) Überschreitung des Verfallsdatums.
 - (2) Fehler oder Schäden, die durch Nichtbeachtung der Anweisungen im Produkthandbuch, unsachgemäße Wartung oder Lagerung verursacht wurden.
 - (3) Fehler oder Schäden, die durch das Zerlegen, Reparieren oder Modifizieren des Produkts ohne Genehmigung von unserem Unternehmen verursacht wurden.
 - (4) Geräteausfall oder Schäden, die durch höhere Gewalt verursacht wurden.
 - (5) Für verbrauchbares Zubehör.

Diese Karte wird zusammen mit dem Produkt ausgegeben. Eine Karte pro Gerät. Bewahren Sie diese Karte sorgfältig auf, um den Anspruch auf den kostenlosen Garantieservice des Unternehmens zu gewährleisten; bei Verlust wird sie nicht ersetzt.

Kaufdatum: _____ (Jahr/Monat/Tag)

Produktzertifikat

Prüfer:

01

Herstellungsdatum:

NINGBO DELI TOOLS CO., LTD.

N° 128 Chezhan West Road, Huangtan Town,

Ninghai County, Ningbo, Zhejiang, China

delitoolsglobal@nbdeli.com

www.delitoolsglobal.com

+86 574 87562689

HERGESTELLT IN CHINA

Reserviert für späteren Gebrauch

Version: 1.0

Datum: Juni. , 2022



Caractéristiques techniques

Modèle		DE-YJ20-1D4
Tension nominale		20V 
Vitesse de rotation nominale à vide		6900/min
Taille max. de lame		150mm
Capacité de coupe	Capacité de coupe à 90°	56mm
	Capacité de coupe à 45°	39mm
Plage d'angle de coupe en biseau		0-45°
Poids de l'outil		1.78kg














La capacité initiale de la batterie peut atteindre 20 V et la valeur nominale dans des conditions normales d'utilisation est 18 V.

⚠ Avertissement ! Utilisez uniquement les batteries et chargeurs spécifiés. L'utilisation d'un autre type de batterie ou de chargeur présente un risque d'incendie et/ou de blessures.

Il est recommandé de sélectionner les accessoires dans le magasin où vous avez acheté l'outil électrique. Veuillez sélectionner les accessoires adaptés à votre travail. Veuillez vous référer à l'emballage des accessoires pour en savoir plus sur l'utilisation.

Batterie	DE-DC20A2	2.0Ah
	DE-DC20A3	2.5Ah
	DE-DC20A4	4.0Ah
	DE-DC20A5	5.0Ah
	DE-DC20A6	6.0Ah
	DE-DC20B8	8.0Ah
Chargeur	DE-CD20A2E	Chargeur simple 2A
	DE-CD20D4E	Chargeur double 4A
	DE-CD20A8E	Chargeur simple 8A

Symboles

 Lire les instructions	 Pictogrammes d'avertissement	 Porter des gants de protection	 Porter un masque
 Porter un cache-oreilles anti-bruit	 Porter des lunettes de protection	 Ne pas immerger dans l'eau	 Ne pas jeter au feu
 Aluminium	 Métal	 Verrouillage	 Déverrouillage
 Bois	 Lame de scie	 Plastique	 Carrelage en céramique
 Mauvais	 Bon	 Les batteries contiennent du lithium-ion. Pour protéger l'environnement, les batteries mises au rebut doivent être triées et recyclées, et ne doivent pas être jetées à la poubelle.	
 Retirez la batterie avant de changer d'accessoire	 Certificat d'union douanière	 Li-Ion	

Instructions originales

Avertissements généraux concernant les outils électriques

AVERTISSEMENT Lire l'ensemble des avertissements, instructions, illustrations et spécifications fourni avec cet outil électrique. Le fait de ne pas suivre toutes les instructions figurant dans la liste ci-dessous peut entraîner un risque de choc électrique, d'incendie et/ou de blessures graves.

Conservez tous les avertissements et instructions à titre d'information.

Le terme « outil électrique » dans les avertissements fait référence à votre outil électrique (avec fil) fonctionnant sur secteur ou à votre outil électrique (sans fil) fonctionnant sur batterie.

Sécurité du lieu de travail

1. **Maintenez le lieu de travail propre et bien éclairé.** Les emplacements encombrés ou sombres favorisent les accidents.
2. **N'utilisez pas d'outils électriques dans un environnement explosif, par exemple en présence de liquides, de gaz ou de poussières inflammables.** Les outils électriques dégagent des étincelles qui peuvent enflammer les vapeurs.
3. **Éloignez les enfants et les personnes alentour lorsque vous utilisez un outil électrique.** Toutes distractions peuvent vous faire perdre le contrôle.

Sécurité électrique

1. **Les prises de l'outil électrique doivent correspondre à la prise murale. N'altérez jamais la prise de quelque manière que ce soit. N'utilisez pas de prises d'adaptateur avec des appareils mis à la terre.** Les prises non altérées et les prises murales correspondantes réduiront les risques de chocs électriques.
2. **Évitez que le corps puissent toucher les surfaces mises à la terre, telles que tuyaux, radiateurs, cuisinières et réfrigérateurs.** Le risque d'électrocution est plus important si votre corps est mis à la terre.
3. **N'exposez pas les outils électriques à la pluie ni à l'humidité.** La pénétration d'eau dans un outil électrique augmente les risques d'électrocution.
4. **N'abusez pas de l'utilisation du fil. N'utilisez jamais le fil pour transporter, tirer ou débrancher l'outil électrique. Conservez le fil à l'écart de la chaleur, de l'huile, des bords coupants ou pièces mobiles.** Un fil endommagé ou emmêlé augmente les risques d'électrocution.

5. **Pour utiliser un outil électrique en extérieur, utilisez une rallonge adaptée à l'usage à l'extérieur.** L'utilisation d'un fil adapté à l'usage extérieur réduit les risques d'électrocution.
6. **Si l'utilisation d'un outil électrique dans un endroit humide est inévitable, utilisez une alimentation protégée par un disjoncteur.** L'utilisation d'un disjoncteur permet de réduire les risques d'électrocution.

Sécurité personnelle

1. **Restez attentif, surveillez votre travail et faites preuve de bon sens lorsque vous utilisez un outil électrique. N'utilisez pas un outil électrique si vous êtes fatigué ou sous l'influence de drogues, d'alcool ou de médicaments.** Un moment d'inattention lors de l'utilisation d'outils électriques peut entraîner des blessures graves.
2. **Portez un équipement de protection individuelle. Portez toujours une protection auditive (oreillettes).** Des équipements de protection tels qu'un masque anti-poussière, des chaussures de sécurité antidérapantes, un casque ou des protections auditives, utilisés dans de bonnes conditions, permettront de réduire les risques de blessures.
3. **Prévenez les démarrages non intentionnels. Assurez-vous que l'interrupteur est éteint (off) avant de brancher l'appareil à la prise d'alimentation et / ou à la batterie, ou de saisir ou de transporter l'outil.**
Le fait de transporter des outils électriques en ayant le doigt sur l'interrupteur ou de lancer des outils électriques lorsque l'interrupteur est allumé, peut être source d'accidents.
4. **Retirez toute clé de réglage ou autre clé avant de mettre l'outil électrique en marche.** Une clé laissée sur une pièce rotative de l'outil électrique peut entraîner des blessures.
5. **Ne vous penchez pas excessivement. Conservez à tout moment un bon appui et bon équilibre.** Vous pouvez ainsi mieux contrôler l'outil électrique en cas de situations imprévues.
6. **Habilitez-vous judicieusement. Ne portez pas de vêtements amples ni de bijoux. Tenez les cheveux et les vêtements à l'écart des pièces en mouvement.** Les vêtements amples, les bijoux ou les cheveux longs peuvent se coincer dans les pièces en mouvement.
7. **Sides appareils permettent de se raccorder à des équipements de collecte et d'extraction de la poussière ; assurez-vous qu'ils soient raccordés et correctement utilisés.** L'utilisation d'un système de collecte de la poussière peut réduire les risques liés à la poussière.

8. **Même si vous avez pris l'habitude d'utiliser des outils, vous ne devez pas être moins vigilant et ignorer les principes de sécurité des outils.** Un geste imprudent peut provoquer une blessure grave en une fraction de seconde.

Utilisation et entretien de l'outil électrique

1. **Ne forcez pas sur l'outil électrique. Utilisez l'outil électrique convenant à l'usage.** Le bon outil électrique fonctionnera mieux et plus sûrement s'il est utilisé à la vitesse pour laquelle il a été conçu.
2. **N'utilisez pas l'outil électrique si l'interrupteur ne l'allume ou ne l'éteint pas.** Tout outil électrique ne pouvant être contrôlé avec l'interrupteur est un outil dangereux, et doit être réparé.
3. **Débranchez la prise et/ou retirez le compartiment à piles, s'il est détachable, de l'outil électrique avant tout réglage, changement d'accessoires ou avant de ranger des outils électriques.** Ce type de mesures de protection permet de réduire les risques d'allumage accidentel de l'outil électrique.
4. **Rangez les outils électriques au repos hors de portée des enfants, et ne laissez personne ne connaissant pas l'outil électrique ou ces instructions utiliser l'outil électrique.** Les outils électriques sont dangereux entre les mains de personnes qui n'y sont pas formées.
5. **Entretenez les et accessoires des outils électriques. Vérifiez l'alignement ou l'adhésion des pièces en mouvement, toute casse de pièces et toute autre condition susceptible d'affecter le bon fonctionnement de l'outil électrique. S'il est endommagé, faites réparer l'outil électrique avant de l'utiliser.** De nombreux accidents sont causés par des outils électriques mal entretenus.
6. **Faites en sorte que les outils de coupe restent affûtés et propres.** Des outils de coupe bien entretenus aux bords affûtés adhèrent moins et sont plus faciles à contrôler.
7. **Utilisez l'outil électrique, les accessoires, embouts et forets, conformément à ces instructions, en tenant compte des conditions de travail et du travail à entreprendre.** L'utilisation de l'outil électrique dans un but différent de celui prévu peut entraîner des situations dangereuses.
8. **Faites en sorte que les surfaces de préhension et poignées restent sèches, propres et exemptes d'huile et de graisse.** Les poignées et les surfaces de préhension glissantes ne permettent pas de manipuler et de contrôler l'outil en toute sécurité dans des situations inattendues.

Utilisation et entretien de l'outil fonctionnant sur batterie

1. **Rechargez uniquement avec le chargeur spécifié par le fabricant.** Un chargeur qui est adapté pour un type de batterie risque de provoquer un début d'incendie s'il est utilisé avec un autre type de batterie.
2. **Utilisez uniquement les outils électriques spécifiquement recommandés pour la batterie.** L'utilisation d'un autre type de batterie présente un risque d'incendie ou de blessures.
3. **Lorsque que la batterie n'est pas utilisée, rangez-la à l'écart d'autres objets métalliques, tels des trombones, des pièces de monnaie, de clés, des clous, des vis ou d'autres petits objets métalliques qui peuvent établir une connexion entre les bornes.** Il y a un risque d'incendie ou de brûlures si les bornes de la batterie sont court-circuitées.
4. **En cas de mauvaise manipulation, du liquide peut s'échapper de la batterie ; évitez tout contact. En cas de contact accidentel, rincez abondamment à l'eau.** Si le liquide entre en contact avec les yeux, consultez un médecin. Le liquide de la batterie est dangereux et provoque des irritations ou des brûlures.
5. **N'utilisez pas une batterie ou un outil s'ils ont été endommagés ou modifiés.** Une batterie endommagée ou modifiée peut avoir un fonctionnement imprévu avec un risque d'incendie, d'explosion ou de blessure.
6. **N'exposez pas la batterie ou l'outil à des températures excessives ou à des flammes.** L'exposition aux flammes ou à des températures supérieures à 130 °C présente un risque d'explosion.
7. **Suivez toutes les consignes pour la recharge et ne rechargez pas la batterie ou l'outil à des températures en dehors de la plage spécifiée dans les consignes.** Une mauvaise recharge ou une charge à des températures en dehors de la plage spécifiée peut endommager la batterie et augmenter le risque d'incendie.

Révision

1. **Faites réviser votre outil électrique par un technicien qualifié utilisant exclusivement des pièces de rechange identiques.** Cela permettra de préserver la sécurité de l'outil électrique.
2. **Ne réparez jamais une batterie endommagée.** L'entretien de la batterie doit être confié au fabricant ou aux réparateurs agréés.

Consignes de sécurité supplémentaires pour toutes les scies

Procédures à respecter pour les opérations de coupe

- 1. DANGER : Maintenez vos mains à l'écart du plan de coupe et de la lame. Maintenez votre deuxième main sur la poignée auxiliaire ou le carter du moteur.** Si vous tenez la scie avec vos deux mains, vous ne risquez pas de vous couper avec la lame.
- 2. Ne vous placez pas en dessous de la pièce à couper.** Le carter ne peut pas vous protéger de la lame en dessous de la pièce à couper.
- 3. Réglez la profondeur de coupe en fonction de l'épaisseur de la pièce.** Moins d'une dent complète de la lame doit être visible en dessous de la pièce à couper.
- 4. Tenez l'outil électrique par les surfaces de préhension isolées lorsque vous l'utilisez vu que l'outil de coupe peut entrer en contact avec un câblage dissimulé ou son propre cordon.** Le contact avec un fil sous tension peut électrocuter les parties métalliques exposées de l'outil électrique et l'opérateur risque de s'électrocuter.
- 5. Pour la fente du bois, utilisez toujours un guide de coupe ou un bord de guidage droit.** Cela permettra d'améliorer la précision de sciage et de limiter le risque de blocage de la lame.
- 6. Utilisez toujours des lames dont la taille et le profil (diamant ou rond) des alésages sont corrects.** Les lames qui ne correspondent pas au support de montage de la scie entraîneront un défaut de centrage de cette dernière avec une perte de contrôle en résultant.
- 7. N'utilisez jamais de rondelles ou de vis de lame endommagées ou inappropriées.** Les rondelles et vis de lame sont conçues spécifiquement pour votre scie, afin d'assurer des performances optimales et la sécurité d'utilisation.

Consignes de sécurité supplémentaires pour toutes les scies

- Le rebond est une réaction soudaine due à une lame de scie pincée, coincée ou mal alignée, provoquant le recul incontrôlé de la scie hors de la pièce vers l'opérateur.
- Lorsque la lame est pincée ou coincée fortement dans le trait de scie, la lame se bloque et la réaction du moteur repousse soudainement le corps de la scie vers l'opérateur.
- Si la lame se tord ou est mal alignée lors de la coupe, les dents au niveau du bord arrière

de la lame peuvent s'enfoncer dans la surface supérieure du bois, ce qui a pour conséquence de faire sauter la lame du trait de scie et de la projeter vers l'opérateur.

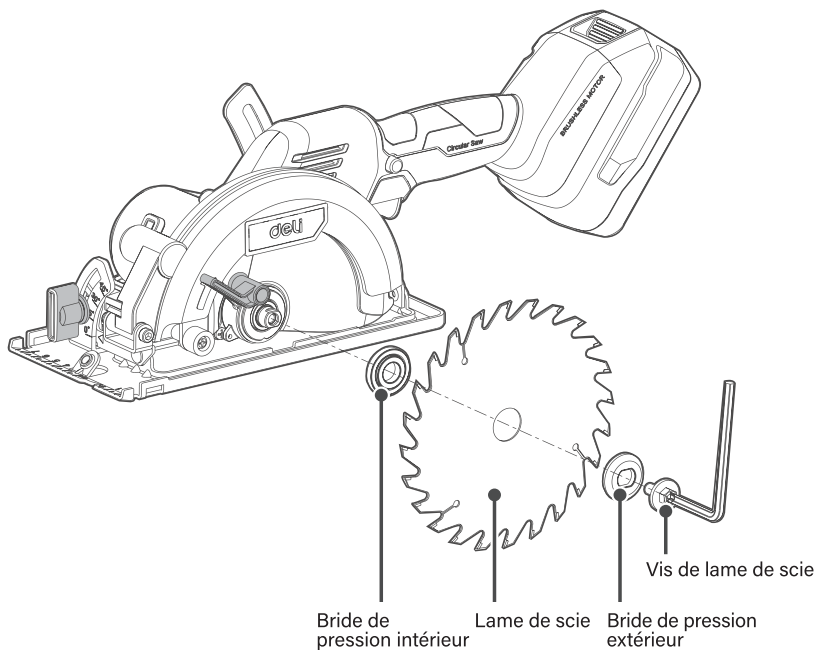
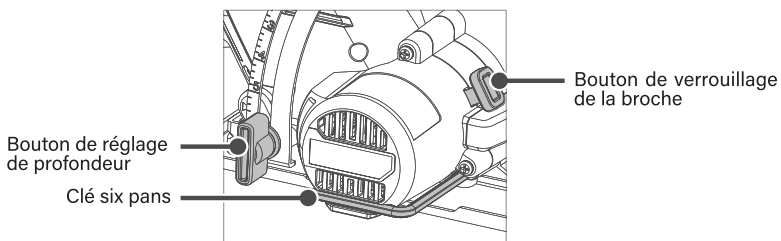
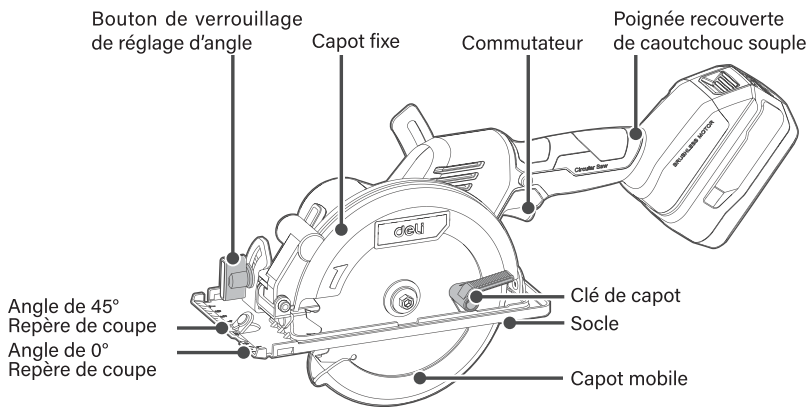
Le rebond résultant d'une mauvaise utilisation de la scie et/ou de procédures ou conditions d'utilisation incorrectes peut être évité en prenant les précautions appropriées indiquées ci-dessous.

Consignes de sécurité pour les scies avec protection pendulaire et avec protection contre le tirage Fonction du carter de protection inférieur

- 1. Vérifiez le carter de protection inférieur pour vous assurer qu'il est bien fermé avant chaque utilisation de la scie. N'utilisez pas la scie si le carter de protection inférieur ne se déplace pas librement et ne se ferme pas instantanément. Ne fixez ou n'attachez jamais le carter de protection inférieur en position ouverte.** Si la scie vient à tomber accidentellement, le carter de protection inférieur peut se tordre. Remontez le carter de protection inférieur avec la poignée rétractable et assurez-vous qu'il se déplace librement et ne touche pas la lame ou toute autre partie, dans tous les angles et profondeurs de coupe.
- 2. Vérifiez le fonctionnement du ressort de carter de protection inférieur. Si le carter et le ressort ne fonctionnent pas correctement, ils doivent être réparés avant d'utiliser la scie.** Le carter de protection inférieur peut fonctionner lentement du fait de pièces endommagées, de dépôts gommeux ou d'une accumulation de débris.
- 3. Vous pouvez rétracter manuellement le carter de protection inférieur uniquement pour les coupes spéciales comme les « coupes en plongée » et les « coupes combinées ». Remontez le carter de protection inférieur au moyen de la poignée rétractable et dès que la lame pénètre dans le matériau, le carter de protection inférieur doit être libéré.** Pour tous les autres types de coupes, le carter de protection inférieur doit fonctionner automatiquement.
- 4. Assurez-vous toujours que le carter de protection inférieur recouvre la lame avant de poser la scie sur un établi ou le sol.** Une lame fonctionnant à vide non protégée fera reculer la scie, coupant tout ce qui se trouve sur son passage. Soyez conscient qu'un certain temps est nécessaire pour que la lame s'arrête après avoir relâché l'interrupteur.

Fonction de la fendeuse

1. **Utilisez la lame de scie appropriée pour la fendeuse.** Pour que la fendeuse fonctionne, le corps de la lame doit être plus fin que la fendeuse et la largeur de coupe de la lame doit être plus grande que l'épaisseur de la fendeuse.
2. **Réglez la fendeuse comme indiqué dans le mode d'emploi.** Un espacement, un positionnement et un alignement incorrects peuvent rendre la fendeuse inefficace pour empêcher les rebonds.
3. **Utilisez toujours la fendeuse sauf pour les coupes en plongée. Vous devez reposer la fendeuse après une coupe en plongée.** La fendeuse induit des interférences pendant les coupes en plongée et peut générer un rebond.
4. **Pour que la fendeuse fonctionne, vous devez l'engager dans la pièce.** La fendeuse est inefficace pour empêcher les effets de rebond lors des coupes courtes.
5. **N'utilisez pas la scie si la fendeuse est tordue.** La moindre interférence peut ralentir la vitesse de fermeture du carter de protection.



* Certains des accessoires mentionnés dans les illustrations ou le texte ne sont pas inclus dans la livraison.

Consignes d'utilisation

Remarque : Lisez le mode d'emploi avant d'utiliser l'outil.

1 Installer ou retirer la batterie

Pour installer ou retirer la batterie, assurez-vous que l'outil est arrêté.

Pour retirer la batterie, appuyez sur le bouton au-dessus de la batterie tout en la dégageant de l'outil.

Pour installer la batterie, alignez la tige sur la batterie avec la rainure sur le carter de l'outil puis faites-la glisser pour l'amener en place. Insérez-la complètement jusqu'à ce qu'elle se verrouille et s'enclenche. Si elle n'est pas installée correctement, la batterie peut se détacher de l'outil, pouvant alors entraîner des blessures.

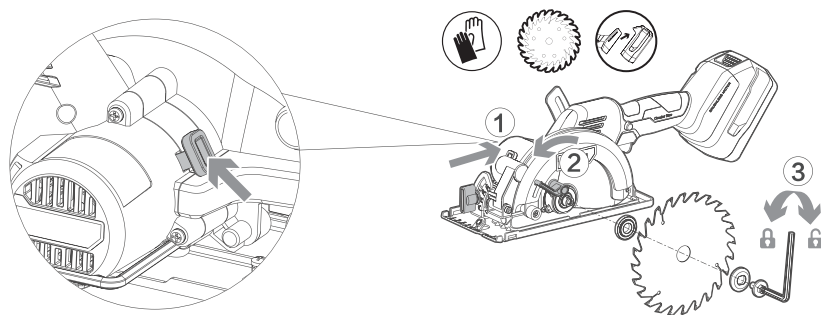
2 Installer et retirer la lame de la scie



Avvertissement !

Veillez à toujours retirer la batterie avant de changer la lame !

Pour retirer la lame de la scie circulaire électrique, appuyez fermement sur le bouton de verrouillage de la broche pour empêcher la lame de tourner. Débloquez ensuite la vis hexagonale de la lame avec la clé six pans et retirez-la puis la bride de pression extérieur, la lame de la scie circulaire et la bride de pression intérieur. Installez la lame de la scie circulaire en procédant à l'inverse de la dépose.



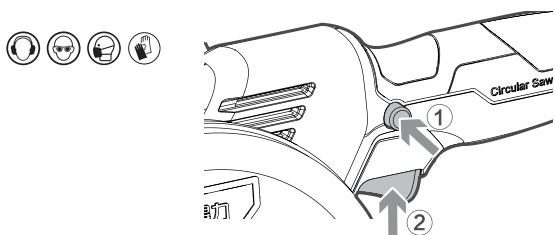
3 Utilisation de la commande



Avertissement ! Pour éviter de vous couper avec la lame de la scie, ne placez pas vos mains sur le socle.

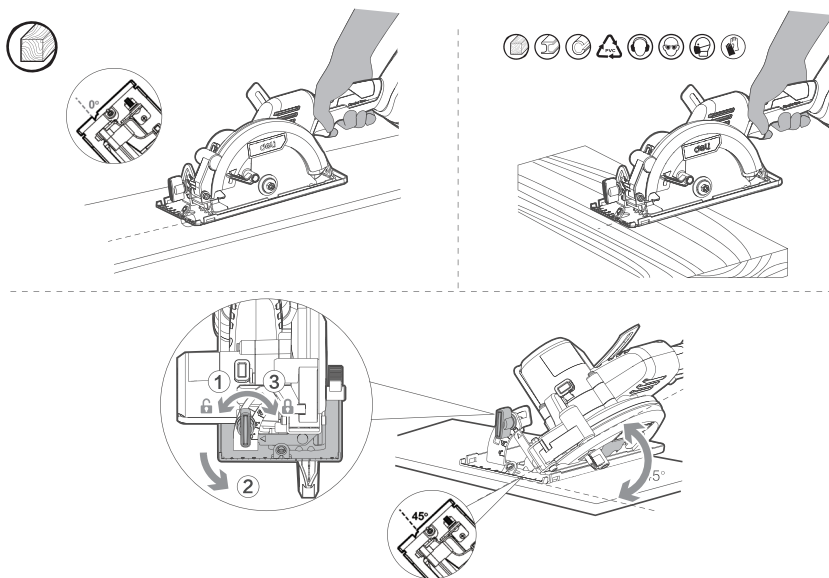
Avertissement ! Avant d'installer la batterie dans l'outil, vous devez vous assurer que la gâchette peut facilement être actionnée et revenir à la position d'origine après l'avoir relâchée.

Cet outil dispose d'un bouton de sécurité qui évite aux utilisateurs d'actionner accidentellement la gâchette. Pour mettre l'outil en marche, appuyez sur le bouton de sécurité et actionnez la gâchette. Relâchez la gâchette pour arrêter l'outil.



4 Alignement de la coupe

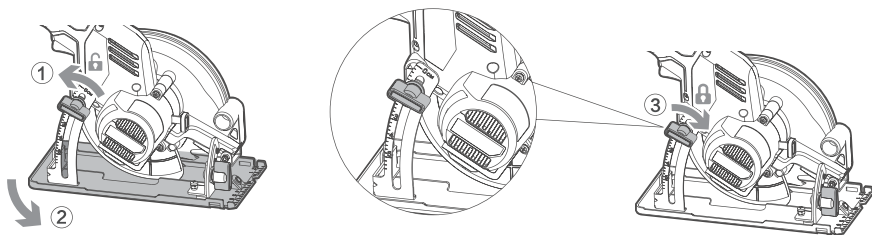
Pour couper en ligne droite, alignez la position 0° de l'extrémité avant du socle avec le trait de coupe. Pour couper à 45°, alignez la position 45° avec le trait de coupe.



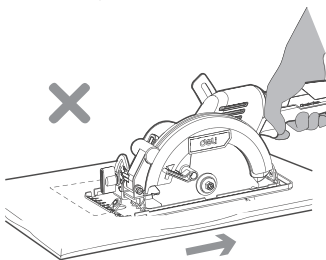
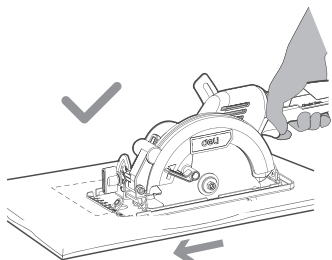
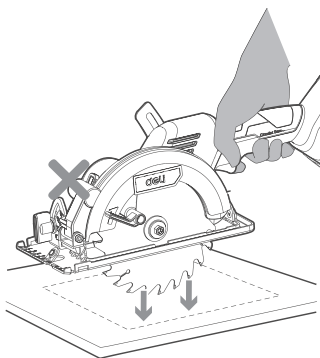
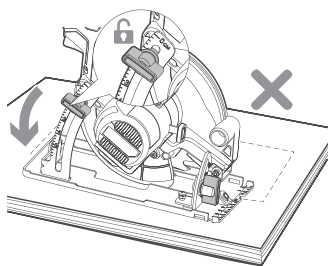
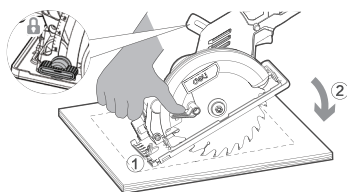
5 Régler l'angle de coupe



Avertissement ! Veillez à toujours serrer le bouton de réglage de la profondeur après le réglage.



6 Réaliser un trou dans une plaque de bois



Carte de garantie du produit

Chers utilisateurs:

Merci d'avoir acheté nos produits. Afin de garantir leur achat, les utilisateurs de nos produits peuvent contacter un distributeur local ou des centres de réparation spécifiés, munis de la facture et de la carte de garantie en cas de défaillance du produit due à de problèmes de qualité.

Notice de garantie:

1. Valide du _____ (jour, mois, année) au _____ (jour, mois, année) Si la panne survient dans le cadre d'une utilisation normale, notre société fournira une garantie gratuite, un remplacement de pièces et d'autres services en fonction de la panne.
2. Cette carte de garantie et la facture d'achat servent de bon de réparation pour le service après-vente fourni par notre société aux clients. La carte ne doit être renseignée qu'en remplissant le formulaire suivant et en apposant le sceau officiel du distributeur.
3. Dans l'un des cas suivants, le service de garantie gratuit sera annulé et des frais d'intervention seront demandés:
 - (1) Dépassement de la date d'expiration.
 - (2) Défaillance ou dommage causé par le non-respect des exigences du manuel du produit, un entretien ou un stockage inapproprié.
 - (3) Défaillance ou dommage causé par le démontage, la réparation ou la modification du produit sans l'autorisation de notre société.
 - (4) Panne de la machine ou dommage causé par un cas de force majeure.
 - (5) Accessoires consommables.

Cette carte est livrée avec le produit. Une carte pour une machine, pour vous assurer que vous pouvez profiter pleinement du droit au service de garantie gratuit fourni par l'entreprise. Veuillez conserver cette carte correctement. En cas de perte, elle ne sera pas remplacée.

Date d'achat : _____ (jour, mois, année)

Certificat de produit

Inspecteur:

01

Date de fabrication:

NINGBO DELI TOOLS CO., LTD.

N° 128 Chezhan West Road, Huangtan Town,

Ninghai County, Ningbo, Zhejiang, China

delitoolsglobal@nbdeli.com

www.delitoolsglobal.com

+86 574 87562689

FABRIQUÉ EN CHINE

Réservé pour une utilisation future

Version: 1.0

Date : Juin, 2022



Especificaciones

Modelo		DE-YJ20-1D4
Tensión nominal		20V 
Velocidad máxima sin carga		6900/min
Tamaño de hoja máximo		150mm
Capacidad de corte	90° de capacidad de corte	56mm
	45° de capacidad de corte	39mm
Intervalo de corte en bisel		0-45°
Peso de la máquina		1.78kg

La capacidad inicial de la batería puede ser de hasta 20 V y el valor en condiciones de uso normal es de 18 V.

⚠ ¡Advertencia! Utilice únicamente las baterías y cargadores indicados. El uso de otros tipos de baterías o cargadores puede provocar lesiones personales y/o incendio.

Se recomienda seleccionar los accesorios de la tienda en la que se compró la herramienta eléctrica. Seleccione los accesorios correctos para su trabajo. Consulte el paquete de accesorios para obtener más uso y ayuda.

Batería	DE-DC20A2	2.0Ah
	DE-DC20A3	2.5Ah
	DE-DC20A4	4.0Ah
	DE-DC20A5	5.0Ah
	DE-DC20A6	6.0Ah
	DE-DC20B8	8.0Ah
Cargador	DE-CD20A2E	Carga única de 2 A
	DE-CD20D4E	Carga doble de 4 A
	DE-CD20A8E	Carga única de 8 A

Símbolos

 Lea las	 Símbolos de	 Lleve guantes	 Lleve máscaras protectoras
 Lleve orejeras	 Lleve gafas protectoras	 No la ponga en agua	 No la lance al fuego
 Aluminio	 Metal	 Bloquear	 Desbloquear
 Madera	 Hoja de sierra	 Plástico	 Azulejos de cerámica
 Incorrecto	 Correcto	 Las baterías contienen iones de litio. Para proteger el medio ambiente, las baterías 	
 Retire la batería antes de	 Certificado de unión aduanera		

Instrucciones originales

ADVERTENCIAS GENERALES DE SEGURIDAD PARA HERRAMIENTAS ELÉCTRICAS

ADVERTENCIA Lea con atención todas las advertencias de seguridad, instrucciones, ilustraciones y especificaciones proporcionadas con esta herramienta eléctrica. No seguir las instrucciones indicadas a continuación puede tener como resultado una descarga eléctrica, un incendio y/o lesiones graves. **Guarde todas las advertencias e instrucciones para referencia futura.**

El uso del término «herramienta eléctrica» en las advertencias de seguridad se refiere a herramientas eléctricas conectadas a la red (con cable) o a batería (sin cable).

Seguridad del área de trabajo

1. **Mantenga el área de trabajo limpia y bien iluminada.** Las áreas abarrotadas y oscuras propician accidentes.
2. **No utilice la herramienta eléctrica en un entorno con peligro de explosión, en el que se encuentren combustibles líquidos, gases o material en polvo.** Las herramientas eléctricas generan chispas que pueden encender el polvo y los vapores inflamables.
3. **Mantenga a los niños y transeúntes alejado del área cuando utilice la herramienta eléctrica.** Las distracciones pueden hacerle perder el control de la máquina.

Seguridad eléctrica

1. **El enchufe de la herramienta eléctrica debe ser compatible con la toma de corriente. No modifique nunca la clavija de enchufe de ninguna forma. No utilice ningún enchufe adaptador con herramientas eléctricas conectadas a masa (conectadas a tierra).** Los enchufes no modificados y que se adaptan a las tomas de corriente reducirán el riesgo de descarga eléctrica.
2. **Evite el contacto del cuerpo con superficies conectadas a masa o tierra, por ejemplo, tuberías, radiadores, estufas y refrigeradores.** Si su cuerpo está puesto a masa o tierra existe un mayor riesgo de que se produzca una descarga eléctrica.
3. **No exponga la herramienta eléctrica a condiciones húmedas o a lluvia.** El riesgo de recibir descargas eléctricas aumenta si penetra agua en la herramienta eléctrica.
4. **No haga mal uso del cable. Nunca use el cable para transportar, tirar o desenchufar la herramienta eléctrica. Mantenga el cable alejado del calor, de**

aceite y de piezas móviles o con bordes afilados. Los cables dañados o enredados pueden aumentar el riesgo de descarga eléctrica.

5. **Cuando utilice la herramienta eléctrica en el exterior, use un cable alargador adecuado para uso en exterior.** El uso de un cable adecuado para uso en exterior reduce el riesgo de descarga eléctrica.
6. **Si no es posible evitar usar una herramienta eléctrica en condiciones húmedas, utilice una fuente de alimentación protegida por un interruptor diferencial (ID).** El uso de un ID reduce el riesgo de descarga eléctrica.

Seguridad personal

1. **Al utilizar una herramienta eléctrica, esté atento, concéntrese en lo que hace y use el sentido común. No utilice la herramienta eléctrica si está cansado o bajo los efectos del alcohol, las drogas o los medicamentos.** Un momento de distracción mientras se utiliza la herramienta eléctrica puede tener como resultado lesiones personales graves.
2. **Use el equipo de protección individual. Lleve siempre protección ocular.** El uso de un equipo de protección adecuado como una mascarilla antipolvo, zapatos de seguridad con suela antideslizante, casco o protectores auditivos para las condiciones que lo requieran reducirá las lesiones personales.
3. **Evite un arranque involuntario. Asegurarse de que el interruptor está en posición de apagado antes de conectar la herramienta a la toma de corriente y/o al insertar el paquete de batería, al recogerla, y al transportarla.** Transportar la herramienta eléctrica con el dedo apoyado sobre el interruptor o enchufar la herramienta eléctrica con el interruptor en la posición de encendido puede propiciar accidentes.
4. **Retire cualquier llave de ajuste o herramienta antes de encender la herramienta eléctrica.** Una herramienta o llave colocada en una pieza giratoria de la herramienta eléctrica puede provocar lesiones personales.
5. **No se estire demasiado. Apoye bien los pies y mantenga el equilibrio en todo momento.** Esto mejorará el control de la herramienta eléctrica en situaciones imprevistas.
6. **Lleve la ropa adecuada. No lleve ropa holgada ni joyas. Mantenga el pelo y la ropa alejada de las piezas móviles.** La ropa holgada, las joyas, o el pelo largo pueden engancharse en las partes en movimiento.

7. **Si los dispositivos están provistos de conexión para aspiración de polvo y dispositivos de recolección, asegúrese de que están conectadas y se utilizan correctamente.** El uso de un colector de polvo puede reducir los peligros relacionados con el polvo.
8. **No deje que la familiaridad obtenida por el uso frecuente de la herramienta se vuelva algo habitual o haga que ignore los principios de seguridad de la herramienta.** Una acción descuidada puede provocar lesiones graves en una fracción de segundos.
7. **Utilice la herramienta eléctrica, los accesorios y las brocas de herramienta, etc. de acuerdo con estas instrucciones, teniendo en cuenta las condiciones de trabajo y el trabajo que se vaya a realizar.** La utilización de la herramienta eléctrica para trabajos para los que no ha sido concebida puede dar lugar a situaciones de peligro.
8. **Mantenga las asas y las superficies de agarre secas, limpias y libres de aceite y grasa.** Las asas y superficies de agarre resbaladizas impiden manejar y controlar la herramienta eléctrica con seguridad en situaciones imprevistas.

Uso y cuidado de la herramienta eléctrica

1. **No fuerce la herramienta eléctrica. Utilice la herramienta eléctrica prevista para el trabajo a realizar.** El trabajo se hace mejor y más seguro usando la herramienta eléctrica correcta con la velocidad para la que ha sido diseñada.
2. **No utilice la herramienta eléctrica si el interruptor no puede encenderla o apagarla.** Una herramienta que no pueda controlarse con el interruptor es peligrosa y debe repararse.
3. **Desconecte el enchufe de la toma de corriente y/o retire el paquete de baterías, si es desmontable, de la herramienta eléctrica antes de realizar cualquier ajuste, cambiar los accesorios o almacenar la herramienta.** Tales medidas preventivas de seguridad reducen el riesgo de arrancar la herramienta eléctrica accidentalmente.
4. **Almacene las herramientas que no utiliza fuera del alcance de los niños y no permita que las personas no familiarizadas con la herramienta eléctrica o estas instrucciones utilicen la herramienta eléctrica.** Las herramientas son peligrosas en manos de personas inexpertas.
5. **Mantenga la herramienta eléctrica y los accesorios. Compruebe si las partes móviles están alineadas o fijas, si no hay piezas rotas o cualquier otro problema que pueda afectar el rendimiento de la herramienta eléctrica. Si hay daños, repare la herramienta eléctrica antes de utilizarla.** Se ocasionan muchos accidentes por el mal mantenimiento de las herramientas eléctricas.
6. **Mantenga las herramientas de corte afiladas y limpias.** Las herramientas de corte con mantenimiento adecuado y con los bordes de corte afilados son menos propensas a trabarse y son más fáciles de controlar.

Uso y cuidado de la herramienta a batería

1. **Cargue solamente con el cargador especificado por el fabricante.** Un cargador adecuado para un tipo de batería puede crear un riesgo de incendio al utilizarlo con otras baterías.
2. **Utilice la herramientas eléctricas solamente con las baterías específicamente diseñadas para ellas.** El uso de cualquier otra batería puede crear un riesgo de incendio o lesión.
3. **Cuando la batería no esté en uso, manténgala alejada de los objetos metálico, como clips de papel, monedas, llaves, clavos, tornillos u otros objetos metálicos pequeños que puedan realizar una conexión de un terminal a otro.** El cortocircuito en los terminales de la batería puede provocar quemaduras o incendios.
4. **En condiciones abusivas, el líquido puede ser expulsado de la batería.** Evite su contacto. En caso de contacto accidental, enjuague con agua. Si el líquido entra en contacto los ojos, solicite ayuda médica. El líquido expulsado de la batería puede causar irritaciones y quemaduras.
5. **No utilice baterías o herramientas que están dañadas o modificadas.** Las baterías dañadas o modificadas pueden tener un comportamiento imprevisible y provocar incendios, explosiones o riesgo de lesiones.
6. **No exponga la batería o la herramienta al fuego o temperatura excesiva.** La exposición al fuego o temperatura superior a 130 °C puede causar una explosión.
7. **Siga todas las instrucciones de carga y no cargue la batería o la herramienta fuera del intervalo de temperatura especificado en las instrucciones.** Una carga incorrecta o fuera del intervalo de temperatura especificado puede dañar la batería o aumentar el riesgo de incendio.

Mantenimiento

- 1. El mantenimiento debe ser realizado por el personal de reparación cualificado utilizando solo repuestos idénticos.** Esto garantizará que se mantenga la seguridad de la herramienta eléctrica.
- 2. Nunca realice trabajos de mantenimiento de baterías dañadas.** Cualquier mantenimiento de las baterías debe ser realizado por el fabricante o centros de servicio autorizados.

Instrucciones de seguridad adicionales para todas las sierras

Procedimientos de corte

- 1. PELIGRO: Mantenga las manos alejadas del área de corte y de la hoja. Mantenga la otra mano en el mango auxiliar o en el alojamiento del motor.** Si ambas manos sujetan la sierra, no pueden sufrir cortes de la hoja.
- 2. No coloque las manos por debajo de la pieza de trabajo.** El protector no puede protegerle de la hoja debajo de la pieza de trabajo.
- 3. Nunca sujete la pieza de trabajo con las manos o las piernas durante el corte. Fije la pieza de trabajo en una plataforma estable.** Es importante sujetar la pieza de trabajo correctamente para minimizar la exposición del cuerpo, el atascamiento de la hoja o la pérdida de control.
- 4. Sujete la herramienta eléctrica por las superficies de agarre con aislamiento cuando realice una operación en la que la herramienta de corte pueda entrar en contacto con cableado oculto o con su propio cable.** El contacto con un «cable activo» puede poner las partes metálicas de la herramienta eléctrica «bajo tensión» y provocar una descarga eléctrica al operador.
- 5. Cuando corte al hilo, utilice siempre un tope paralelo o una guía de borde recto.** Esto mejora la precisión de corte y reduce la posibilidad de atascamiento de la hoja.
- 6. Utilice siempre hojas con la forma (de diamante o redonda) y el tamaño correctos de los orificios de eje.** Las hojas que no coincidan con los accesorios de montaje de la sierra girarán descentradas y pueden provocar la pérdida de control.
- 7. Nunca utilice arandelas o pernos de hoja dañados o inadecuados.** El perno y las arandelas de la hoja se han diseñado específicamente para su sierra, para un rendimiento y una seguridad de funcionamiento óptimas.

Instrucciones de seguridad adicionales para todas las sierras

Causas de contragolpe y advertencias relacionadas

- Un contragolpe es una reacción repentina debido a un pellizco o atascamiento de la hoja de sierra que hace que una sierra descontrolada se levante y salte de la pieza de trabajo hacia el operador.
- Cuando la hoja se pellizca o se atasca fuertemente al estrecharse el corte, esta se atasca y la reacción del motor impulsa la unidad rápidamente hacia atrás en dirección al operador.
- Si la hoja se tuerce o está mal alineada en el corte, los dientes de su borde posterior pueden clavarse en la superficie superior de la madera provocando que la hoja se salga del corte y salte hacia el operador.

El contragolpe es el resultado de un mal uso de la sierra y/o de procedimientos o condiciones de funcionamiento incorrectos y puede evitarse tomando las precauciones adecuadas que se proporcionan a continuación.

- 1. Mantenga la sierra bien agarrada con las dos manos y coloque los brazos de forma que le permitan soportar las fuerzas de contragolpe. Coloque su cuerpo a ambos lados de la hoja, pero no en línea con ella.** El contragolpe podría provocar que la sierra salte hacia atrás, no obstante, el operador puede controlar las fuerzas de contragolpe si toma las precauciones adecuadas.
- 2. Si la hoja se atasca o se interrumpe el corte por cualquier razón, suelte el gatillo y mantenga la herramienta quieta en el material hasta que la hoja se detenga por completo.** No intente retirar la sierra de la pieza de trabajo ni tirar de la sierra hacia atrás mientras la hoja esté en movimiento, ya que podría producir un contragolpe. Investigue y tome medidas correctivas para eliminar la causa de atascamiento de la hoja.
- 3. Cuando vuelva a arrancar la sierra en la pieza de trabajo, centre la hoja en la entalladura para que los dientes de sierra no estén en contacto con el material.** Si la hoja de la sierra se atasca, puede escalar la pieza de trabajo o provocar un contragolpe cuando se vuelve a arrancar.
- 4. Sujete los paneles grandes para minimizar el riesgo de que la hoja se pellizque y provoque contragolpe. Los paneles grandes tienden a doblarse por su propio peso.** Deben colocarse soportes debajo del panel en ambos lados, cerca de la línea de corte y del borde del panel.

5. No utilice hojas desgastadas o dañadas.

Las hojas sin afilar o mal montadas hacen que la entalladura sea estrecha, lo que provoca una fricción excesiva, un atascamiento de la hoja y un contragolpe.

6. Las palancas de bloqueo del ajuste de bisel y de profundidad deben estar bien apretadas y seguras antes de realizar el corte.

Si el ajuste de la hoja cambia durante el corte, se puede provocar atascamiento y contragolpes.

7. Tenga especial cuidado cuando realice un corte en paredes u otras áreas ciegas.

La hoja saliente puede cortar objetos que pueden provocar contragolpes.

Instrucciones de seguridad para sierras con protector de péndulo y sierras con protector de arrastre

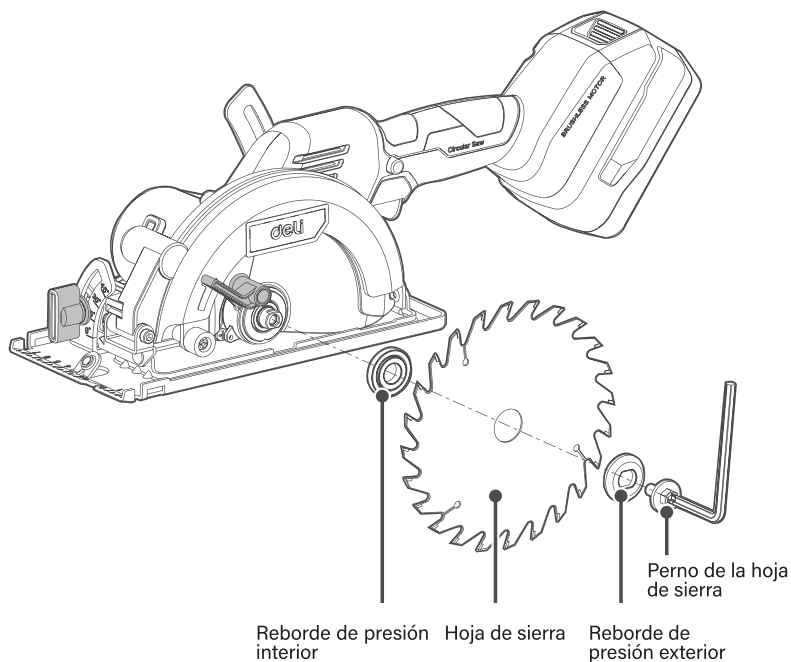
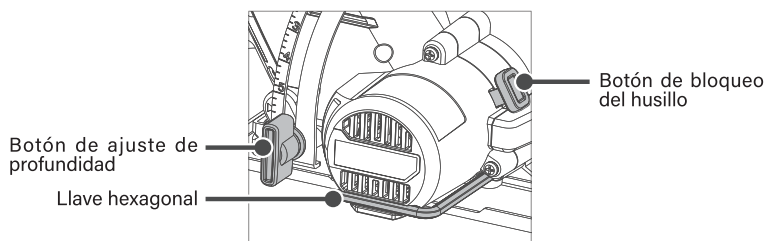
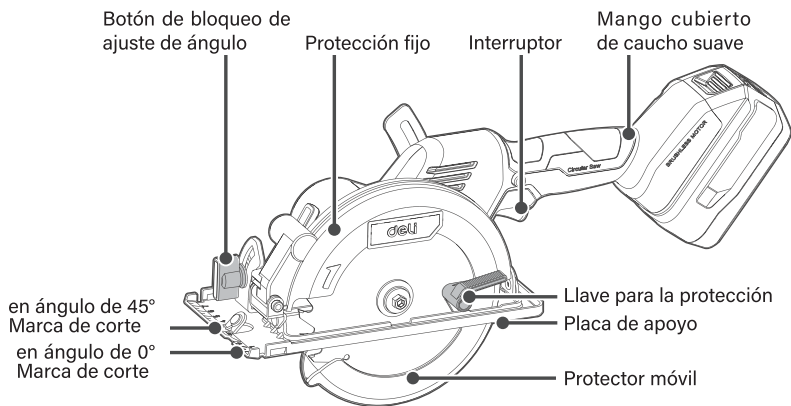
Función del protector inferior

1. **Compruebe que el protector inferior se cierra adecuadamente antes de cada uso. No utilice la sierra si el protector inferior no se mueve libremente y se cierra instantáneamente. Nunca sujete ni mantenga el protector inferior en la posición abierta.** Si la sierra se cae accidentalmente, el protector inferior se puede doblar. Levante el protector inferior con el mango retráctil y asegúrese de que se mueve libremente y que no toca la hoja ni ninguna otra parte, en todos los ángulos y profundidades de corte.
2. **Compruebe el funcionamiento del muelle del protector inferior. Si el protector y el muelle no funcionan correctamente, deberán repararse antes del uso.** El protector inferior puede funcionar con lentitud debido a piezas dañadas, depósitos pegajosos o acumulación de suciedad.
3. El protector inferior debe retraerse **manualmente solo para cortes especiales como «cortes por inmersión» y «cortes compuestos».** Levante el protector inferior mediante el mango retráctil y cuando la hoja entre en el material, debe soltarse el protector inferior. Para todos los otros cortes con sierra, el protector inferior debe funcionar automáticamente.
4. **Compruebe siempre que el protector inferior cubra la hoja antes de colocar la sierra sobre un banco o en el suelo.** Una hoja sin proteger que gire por inercia puede hacer que la sierra se desplace hacia atrás, cortando lo que esté en su camino. Tenga en cuenta que la hoja tarda un tiempo en detenerse después de soltar el interruptor.

Instrucciones de seguridad adicionales para todas las sierras con cuchilla separadora

Función de la cuchilla separadora

1. **Utilice la hoja de sierra adecuada para la cuchilla separadora.** Para que la cuchilla separadora funcione, el cuerpo de la hoja debe ser más delgada que la cuchilla separadora y el ancho de corte de la hoja debe ser más ancho que el espesor de la cuchilla separadora.
2. **Ajuste la cuchilla separadora como se describe en este manual de instrucciones.** Un espaciado, posicionamiento y alineamiento incorrecto puede hacer que la cuchilla separadora sea ineficaz para prevenir un contragolpe.
3. **Utilice siempre la cuchilla separadora excepto cuando realice cortes por inmersión. La cuchilla separadora debe sustituirse después de realizar cortes por inmersión.** La cuchilla separadora provoca interferencias durante un corte por inmersión y puede producir contragolpes.
4. **Para que la cuchilla separadora funcione, debe estar en contacto con la pieza de trabajo.** La cuchilla separadora es ineficaz para prevenir contragolpes durante cortes cortos.
5. **No utilice la sierra si la cuchilla separadora está doblada.** Incluso una interferencia ligera puede ralentizar la velocidad de cierre de una protección.



*Algunos de los accesorios mencionados en las ilustraciones o en el documento no están incluidos en el volumen de suministro.

Instrucciones de funcionamiento

Nota: Lea el manual de instrucciones antes del uso.

1 Instalación o extracción de la batería

Cuando instale o retire la batería, asegúrese de que la máquina está en estado de apagado;
Cuando retire la batería, pulse el botón sobre la batería mientras la extrae de la herramienta;
Cuando instale la batería, alinee la lengüeta de la batería con el surco de la carcasa de la herramienta y luego insértela. Insértela completamente en su lugar hasta que la batería esté bloqueada y haga clic. Si no se instala correctamente, la batería puede desprenderse de la herramienta y provocar lesiones personales.

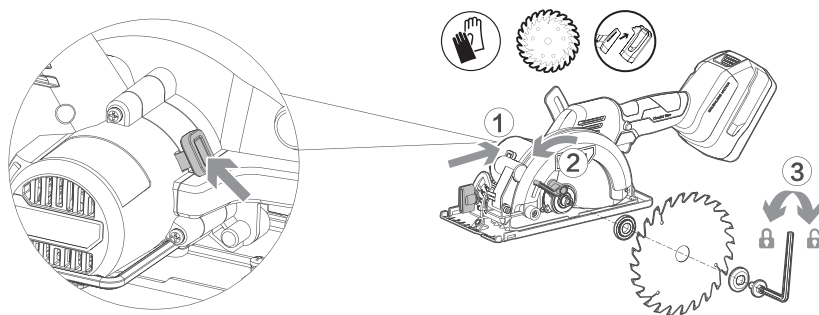
2 Montaje y desmontaje de la hoja de sierra



¡Advertencia!

¡Retire siempre el paquete de baterías antes de cambiar la hoja de sierra!

Al retirar la hoja de la sierra circular de máquina, presione con fuerza el botón de bloqueo del husillo para evitar que la hoja de la sierra circular eléctrica gire. Luego, afloje el perno hexagonal con una llave hexagonal y retire el perno de la sierra circular, el reborde de presión exterior, la hoja de la sierra circular eléctrica y el reborde de presión interior. Instale la hoja de la sierra circular eléctrica en el orden inverso de extracción.



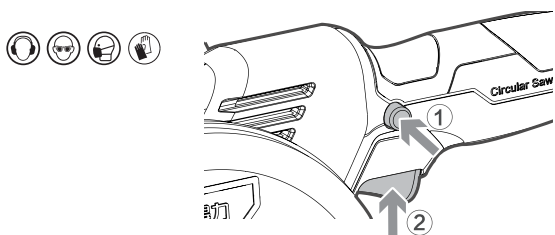
3 Funcionamiento del interruptor



¡Advertencia! Para evitar cortarse con la hoja de sierra, no ponga las manos sobre la placa de apoyo.

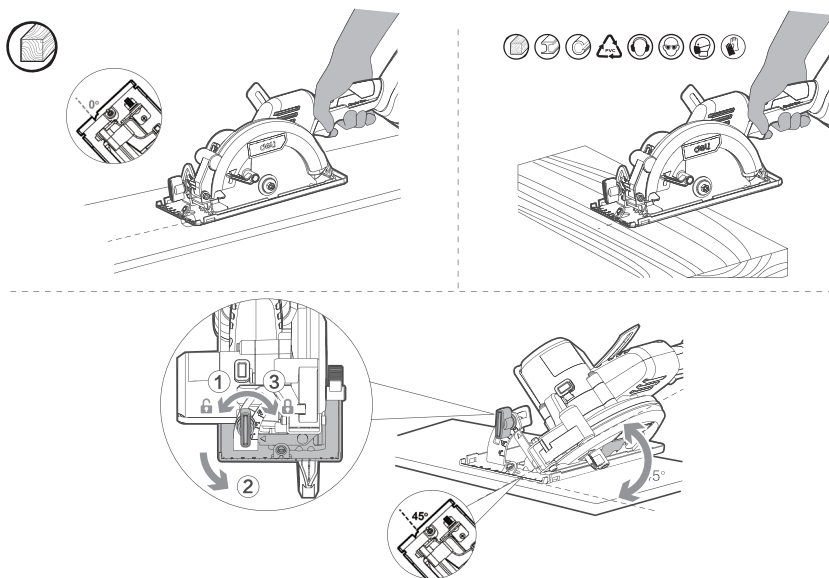
¡Advertencia! Antes de insertar la batería en la herramienta, compruebe siempre si el gatillo interruptor se puede apretar fácilmente y si puede regresar a la posición inicial después de soltarlo.

Esta herramienta cuenta con un botón de bloqueo que evita que los usuarios aprieten accidentalmente el gatillo interruptor. Para encender la herramienta, presione el botón de bloqueo y luego apriete el gatillo interruptor. Suelte el gatillo interruptor para detener la herramienta.



4 Alineamiento de corte

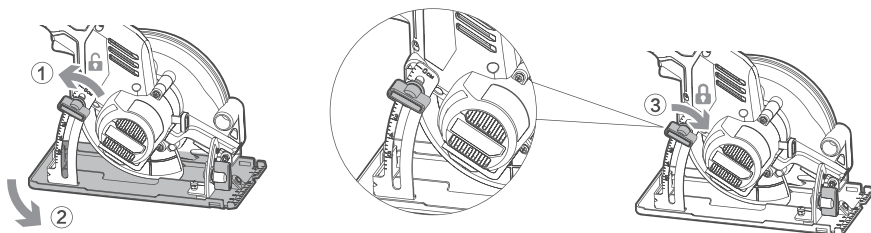
Al cortar en línea recta, alinee la posición de 0° de la parte delantera de la base con la línea de corte. Al cortar en 45°, alinee la posición de 45° con la línea de corte.



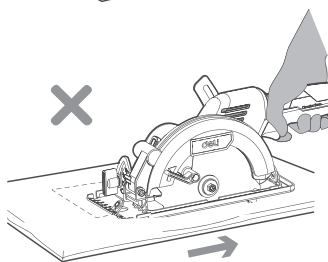
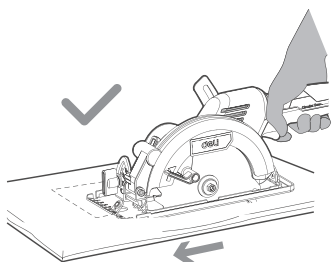
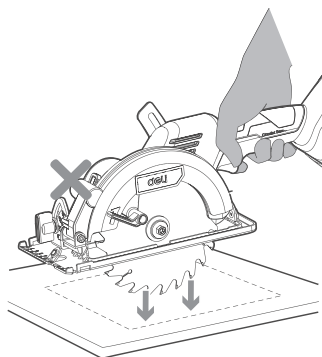
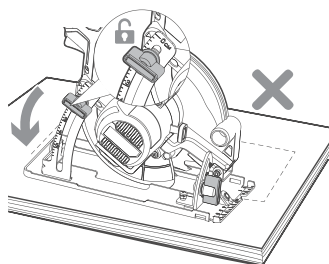
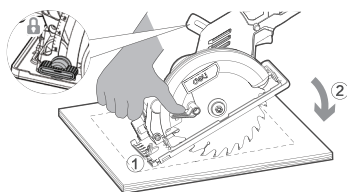
5 Ajuste del ángulo de corte



¡Advertencia! Apriete siempre el botón de ajuste de profundidad después de ajustar la profundidad de corte.



6 Hacer un agujero en la placa de madera



Tarjeta de garantía del producto

Estimados usuarios:

Gracias por comprar nuestros productos. Con el fin de garantizar su beneficio, los usuarios que compran nuestros productos pueden ponerse en contacto con el distribuidor local o las estaciones de reparación especificadas con factura(s) y tarjeta(s) de garantía si el producto falla debido a problemas de calidad.

Aviso de garantía:

1. De _____ (Año/Mes/Día) a _____ (Año/Mes/Día), Si la falla ocurre durante el uso normal, nuestra compañía ofrecerá garantía gratuita, reemplazo de piezas y otros servicios de acuerdo con la situación de la falla.
2. Esta tarjeta de garantía y la factura de compra son el comprobante del servicio posventa proporcionado por nuestra empresa a los clientes. La tarjeta debe detallarse solo después de completar el siguiente formulario y colocar el sello oficial del distribuidor.
3. En los siguientes casos, el servicio de garantía gratuito no será válido y se exigirán tarifas de mantenimiento:
 - (1) Exceder la fecha de vencimiento.
 - (2) Fallo o daño causado por no seguir los requisitos del manual del producto o un mantenimiento o almacenamiento inadecuados.
 - (3) Fallo o daño causado por el desmontaje, la reparación o la modificación del producto sin el permiso de nuestra empresa.
 - (4) Avería de la máquina o daños causados por fuerza mayor.
 - (5) Accesorios consumibles.

Esta tarjeta se emite con el producto. Una tarjeta por máquina; para garantizar que pueda disfrutar plenamente del derecho al servicio de garantía gratuito proporcionado por la empresa, guarde esta tarjeta debidamente, la pérdida no será reemplazada.

Fecha de compra: _____ (Año/Mes/Día)

Certificado de producto

Inspector:

01

Fecha de fabricación:

NINGBO DELI TOOLS CO., LTD.

N° 128 Chezhan West Road, Huangtan Town,

Ninghai County, Ningbo, Zhejiang, China

delitoolsglobal@nbdeli.com

www.delitoolsglobal.com

+86 574 87562689

FABRICADO EN CHINA

Reservado para uso futuro

Versión: 1.0

Fecha: Junio, 2022



Especificações

Modelo	DE-YJ20-iD4	
Tensão nominal	20V 	
Velocidade máxima sin carga	6900/min	
Tamanho de hoja máximo	150mm	
Capacidad de corte	90° de capacidad de corte	56mm
	45° de capacidad de corte	39mm
Intervalo de corte en bisel	0-45°	
Peso de la máquina	1.78kg	

La capacidad inicial de la batería puede ser de hasta 20 V y el valor en condiciones de uso normal es de 18 V.

⚠ ¡Advertencia! Utilice únicamente las baterías y cargadores indicados. El uso de otros tipos de baterías o cargadores puede provocar lesiones personales y/o incendio.

Se recomienda seleccionar los accesorios de la tienda en la que se compró la herramienta eléctrica. Seleccione los accesorios correctos para su trabajo. Consulte el paquete de accesorios para obtener más uso y ayuda.

Conjunto da bateria	DE-DC20A2	2.0Ah
	DE-DC20A3	2.5Ah
	DE-DC20A4	4.0Ah
	DE-DC20A5	5.0Ah
	DE-DC20A6	6.0Ah
	DE-DC20B8	8.0Ah
Carregador	DE-CD20A2E	2A de carga única
	DE-CD20D4E	4A de carga dupla
	DE-CD20A8E	8A de carga única

Símbolos

 Leia as instruções	 Sinais de aviso	 Use luvas de proteção	 Use máscaras
 Use abafadores auriculares de ruído	 Use óculos de proteção	 Não coloque dentro de água	 Não coloque no fogo
 Alumínio	 Metal	 Bloquear	 Desbloquear
 Madeira	 Lâmina de serra	 Plástico	 Azulejo de cerâmica
 Errado	 Correto	 Li-Ion As baterias contém íões de lítio. Para proteger o ambiente, as baterias descarregadas  Li-Ion	
 Retirar a bateria antes de substituir os acessórios	 união aduaneira certificado		

Instruções originais

Avisos gerais de segurança de ferramentas elétricas

AVISO Leia todos os avisos de segurança, instruções, ilustrações e especificações fornecidas com esta ferramenta elétrica.

O não cumprimento de todas as instruções listadas abaixo pode resultar em choque elétrico, incêndio e/ou ferimentos graves.

Guarde todos os avisos e instruções para referência futura.

O termo "ferramenta elétrica" dos avisos refere-se à sua ferramenta elétrica acionada a partir da rede elétrica (com fio) ou à ferramenta elétrica acionada a bateria (sem fio).

Segurança da área de trabalho

- 1. Mantenha a área de trabalho limpa e bem iluminada.** Áreas desorganizadas ou escuras convidam a acidentes.
- 2. Não opere ferramentas elétricas em atmosferas explosivas, tais como na presença de líquidos inflamáveis, gases ou pó.** As ferramentas elétricas criam faíscas que podem incendiar o pó ou os fumos.
- 3. Mantenha as crianças e todos os presentes afastados durante o funcionamento de uma ferramenta elétrica.** As distrações podem causar a perda de controlo.

Segurança elétrica

- 1. As fichas das ferramentas elétricas devem corresponder à tomada. Nunca modifique a ficha de forma alguma. Não utilize fichas adaptadoras com ferramentas elétricas ligadas à terra.** Fichas sem alterações e as tomadas correspondentes reduzirão o risco de choque elétrico.
- 2. Evite o contacto do corpo com superfícies de ligação à terra ou aterradas, tais como tubos, radiadores, grelhas e refrigeradores.** Existe um risco acrescido de choque elétrico se o seu corpo estiver ligado à terra.
- 3. Não exponha ferramentas elétricas a condições de chuva ou humidade.** A entrada de água numa ferramenta elétrica irá aumentar o risco de choque elétrico.
- 4. Não maltrate o cabo. Nunca utilize o cabo para transportar, puxar ou desligar a ferramenta elétrica. Mantenha o cabo longe do calor, óleo, arestas afiadas ou peças móveis.** Os cabos danificados ou enredados aumentam o risco de choque elétrico.
- 5. Ao operar uma ferramenta elétrica ao ar livre, utilize um cabo de extensão adequado para utilização ao ar livre.** A utilização de um cabo adequado para o exterior reduz o risco de choque elétrico.

- 6. Se operar uma ferramenta elétrica num local húmido for inevitável, utilize um dispositivo de corrente residual (DCR) para alimentação protegida.** A utilização de um DCR reduz o risco de choque elétrico.

Segurança pessoal

- 1. Fique atento, observe o que está a fazer e use o bom senso ao operar uma ferramenta elétrica. Não utilize uma ferramenta elétrica quando estiver cansado ou sob a influência de drogas, álcool ou medicamentos.** Um momento de desatenção durante a utilização de uma ferramenta elétrica pode resultar em sérios danos pessoais.
- 2. Utilize equipamento de proteção pessoal. Use sempre equipamento de proteção para os olhos.** O equipamento de proteção, como uma máscara de proteção contra o pó, sapatos de segurança antiderrapantes, capacete ou proteção auditiva utilizados em condições apropriadas, reduzirá os ferimentos pessoais.
- 3. Evite o arranque involuntário. Assegure-se de que o interruptor está na posição de desligado antes de ligar à fonte de alimentação e/ou bateria, e antes de pegar ou transportar a ferramenta.** Transportar ferramentas elétricas com o dedo no interruptor ou ligar a energia de ferramentas elétricas que tenham o interruptor ligado convida a acidentes.
- 4. Remova qualquer chave inglesa ou chave de ajuste antes de ligar a ferramenta elétrica.** Uma chave inglesa ou uma chave de ajuste deixada presa a uma parte rotativa da ferramenta elétrica pode resultar em ferimentos pessoais.
- 5. Não exagere o alcance. Mantenha sempre os pés assentes e o equilíbrio adequado.** Isto permite um melhor controlo da ferramenta elétrica em situações inesperadas.
- 6. Vista-se adequadamente. Não use roupa solta ou joias. Mantenha o cabelo e a roupa longe de peças móveis.** Roupas soltas, joias ou cabelo comprido podem ser apanhados por peças em movimento.
- 7. Se forem fornecidos dispositivos para a ligação de instalações de extração e recolha de pó, certifique-se de que estes estão ligados e são devidamente utilizados.** A utilização de dispositivos de recolha de poeira pode reduzir os perigos relacionados com o pó.
- 8. Não deixe que a familiaridade adquirida com o uso frequente de ferramentas lhe permita tornar-se complacente e ignorar os princípios de segurança das ferramentas.** Uma ação descuidada pode causar lesões graves numa fração de segundo.

Uso e cuidados a ter com ferramentas elétricas

- 1. Não force a ferramenta elétrica. Utilize a ferramenta elétrica correta para a sua aplicação.** A ferramenta elétrica correta fará o trabalho melhor e de forma mais segura ao ritmo para o qual foi concebida.
- 2. Não utilize a ferramenta elétrica se o interruptor não se ligar e desligar.** Qualquer ferramenta elétrica que não possa ser controlada com o interruptor é perigosa e deve ser reparada.
- 3. Desligue a ficha da fonte de alimentação e/ou remova a bateria da ferramenta elétrica, se esta for destacável, antes de fazer quaisquer ajustes, trocar acessórios ou de armazenar as ferramentas elétricas.** Tais medidas preventivas de segurança reduzem o risco de arranque acidental da ferramenta elétrica.
- 4. Armazene as ferramentas elétricas inativas fora do alcance das crianças e não permita que pessoas não familiarizadas com elas ou com estas instruções operem as ferramentas elétricas.** As ferramentas elétricas são perigosas nas mãos de utilizadores não treinados.
- 5. Manutenção das ferramentas elétricas e acessórios. Verifique se há desalinhamento de peças móveis ou se estas estão coladas, se existem peças quebradas e qualquer outra condição que possa afetar o funcionamento da ferramenta elétrica. Em caso de danos, mande reparar a ferramenta elétrica antes de a utilizar.** Muitos acidentes são causados por ferramentas elétricas com manutenção deficiente.
- 6. Mantenha as ferramentas de corte afiadas e limpas.** As ferramentas de corte com arestas cortantes afiadas com manutenção adequada têm menos probabilidades de se colarem e são mais fáceis de controlar.
- 7. Utilize a ferramenta elétrica, acessórios e peças da ferramenta, etc., de acordo com estas instruções, tendo em conta as condições específicas e o trabalho a ser realizado.** A utilização da ferramenta elétrica para operações diferentes daquelas para as quais foi concebida pode resultar numa situação perigosa.
- 8. Mantenha as pegas e as superfícies para agarrar secas, limpas e isentas de óleo e gordura.** As pegas e as superfícies de agarrar escorregadias não permitem um manuseamento e controlo seguros da ferramenta em situações inesperadas.

Utilização e cuidados a ter com baterias

- 1. Recarregue apenas com o carregador especificado pelo fabricante.** Um carregador que é adequado para um tipo de conjunto de baterias pode criar um risco de incêndio quando utilizado com outro conjunto de baterias.
- 2. Utilize ferramentas elétricas apenas com os conjuntos de baterias especificamente designados.** A utilização de outros conjuntos de baterias pode criar um risco de ferimento e incêndio.
- 3. Quando o conjunto de baterias não está a ser utilizado, mantenha afastado de outros objetos de metal, como cliques de papel, moedas, chaves, pregos, parafusos ou outros pequenos objetos de metal, que podem fazer a ligação de um terminal com o outro.** Colocar os terminais da bateria juntos em curto-circuito pode provocar queimaduras ou um incêndio.
- 4. Sob condições abusivas, pode sair líquido da bateria; evite o contacto. Se o contacto ocorrer acidentalmente, lave com água. Se o líquido entrar em contacto com os olhos procure também ajuda médica.** O líquido que derrame da bateria pode provocar irritação ou queimaduras.
- 5. Não utilize um conjunto de baterias ou ferramenta que esteja danificada ou tenha sido modificado.** Baterias danificadas ou modificadas podem apresentar um comportamento inesperado, que resulta em incêndio, explosão ou risco de ferimentos.
- 6. Não exponha o conjunto da bateria ou a ferramenta ao fogo ou a temperaturas excessivas.** A exposição ao fogo ou a temperaturas acima de 130 °C pode provocar explosão.
- 7. Siga todas as instruções de carregamento e não carregue o conjunto de baterias ou a ferramenta fora do intervalo de temperatura especificado nas instruções.** O carregamento inapropriado ou a temperaturas fora do intervalo especificado pode danificar a bateria e aumentar o risco de incêndio.

Manutenção

- 1. Faça a manutenção da sua ferramenta elétrica por um técnico de reparação qualificado, utilizando apenas peças de substituição idênticas.** Isto garantirá que a segurança da ferramenta elétrica é mantida.
- 2. Nunca repare conjuntos de baterias danificados.** A reparação de conjuntos de baterias só deve ser efetuada pelo fabricante ou por prestadores de serviços autorizados.

Instruções de segurança adicionais para todas as serras

Procedimentos de corte

- 1. PERIGO: Manter as mãos afastadas da zona de corte e da lâmina. Mantenha a sua outra mão no punho auxiliar ou na caixa do motor.** Se ambas as mãos estiverem a segurar a serra, não podem ser cortadas pela lâmina.
- 2. Não coloque as mãos por baixo da peça de trabalho.** O protetor não o pode proteger da lâmina por baixo da peça de trabalho.
- 3. Ajuste a profundidade de corte à espessura da peça a trabalhar.** Deve ser visível por baixo da peça de trabalho menos de um dente completo dos dentes da lâmina.
- 4. Nunca segure a peça de trabalho com as mãos ou sobre a perna durante o corte. Fixe a peça de trabalho numa plataforma estável.** É importante apoiar adequadamente o trabalho para minimizar a exposição do corpo, o encravamento da lâmina ou a perda de controlo.
- 5. Segure a ferramenta elétrica apenas pelas superfícies de agarrar isoladas, ao executar uma operação em que a ferramenta de corte possa entrar em contacto com cabos escondidos ou com o seu próprio cabo.** O contacto com um cabo elétrico "sob tensão" irá também colocar "sob tensão" as partes metálicas expostas da ferramenta elétrica e pode causar um choque elétrico ao operador.
- 6. Ao ripar, utilize sempre uma régua de corte ou uma guia de rebordo reto.** Isto melhora a precisão do corte e reduz a possibilidade de encravamento da lâmina.
- 7. Utilize sempre lâminas com o tamanho e a forma corretos (losango versus redondo) dos orifícios da estrutura.** As lâminas que não coincidam com as ferragens de montagem da serra ficarão descentradas, causando perda de controlo.
- 8. Nunca utilize anilhas ou parafusos da lâmina danificados ou incorretos.** As anilhas da lâmina e o parafuso foram especialmente concebidos para a sua serra, para um desempenho ótimo e segurança de funcionamento.

saia da peça de trabalho em direção ao operador;

 - quando a lâmina é comprimida ou encravada fortemente pelo fecho do corte, a lâmina encrava e a reação do motor faz com que a unidade recue rapidamente para o operador;
 - se a lâmina ficar torcida ou desalinhada durante o corte, os dentes na extremidade posterior da lâmina podem penetrar na superfície superior da madeira, fazendo com que a lâmina saia do corte e salte na direção do operador.

O coice violento é resultado de uma má utilização da serra e/ou de procedimentos ou condições de funcionamento incorretos e pode ser evitado tomando as devidas precauções, como indicado abaixo.

 - 1. Mantenha um aperto firme com ambas as mãos na serra e posicione os braços para resistir às forças de retrocesso. Posicione o seu corpo em ambos os lados da lâmina, mas não em linha com a lâmina.** O coice pode fazer com que a serra salte para trás, mas as forças do coice podem ser controladas pelo operador, se forem tomadas as devidas precauções.
 - 2. Se a lâmina estiver a emperrar, ou se interromper um corte por qualquer motivo, solte o gatilho e mantenha a serra imóvel no material até a lâmina parar completamente.** Nunca tente retirar a serra do local de trabalho ou puxar a serra para trás enquanto a lâmina estiver em movimento, pois pode ocorrer um coice. Investigue e tome medidas corretivas para eliminar a causa do encravamento da lâmina.
 - 3. Quando se reinicia uma serra na peça de trabalho, deve-se centrar a lâmina de serra na fenda de corte, de modo a que os dentes da serra não fiquem engatados no material.** Se uma lâmina de serra se prender, pode subir ou recuar da peça de trabalho quando a serra é reiniciada.
 - 4. Apoie painéis de grandes dimensões para minimizar o risco de a lâmina entalar e causar um movimento de coice.** Os painéis de grandes dimensões têm tendência a ceder devido ao seu próprio peso. Devem ser colocados suportes por baixo do painel de ambos os lados, junto à linha de corte e junto ao bordo do painel.
 - 5. Não utilize lâminas cegas ou danificadas.** Lâminas não afiadas ou mal ajustadas produzem um corte estreito, causando fricção excessiva, encravamento da lâmina e coice.
 - 6. As alavancas de bloqueio de regulação da profundidade da lâmina e do bisel devem estar apertadas e seguras antes de efetuar o corte.** Se o ajuste da lâmina se deslocar durante o corte, pode causar encravamento e provocar um coice.

Outras instruções de segurança para todas as serras

Causas de coice violento e avisos relacionados

- O coice é uma reação súbita a uma lâmina de serra presa, encravada ou desalinhada, fazendo com que uma serra descontrolada se levante e

7. **Tenha muito cuidado ao serrar em paredes existentes ou noutras áreas cegas.** A lâmina saliente pode cortar objetos que podem causar um coice.

Instruções de segurança para serras com proteção pendular e serras com proteção de reboque

Função de proteção inferior

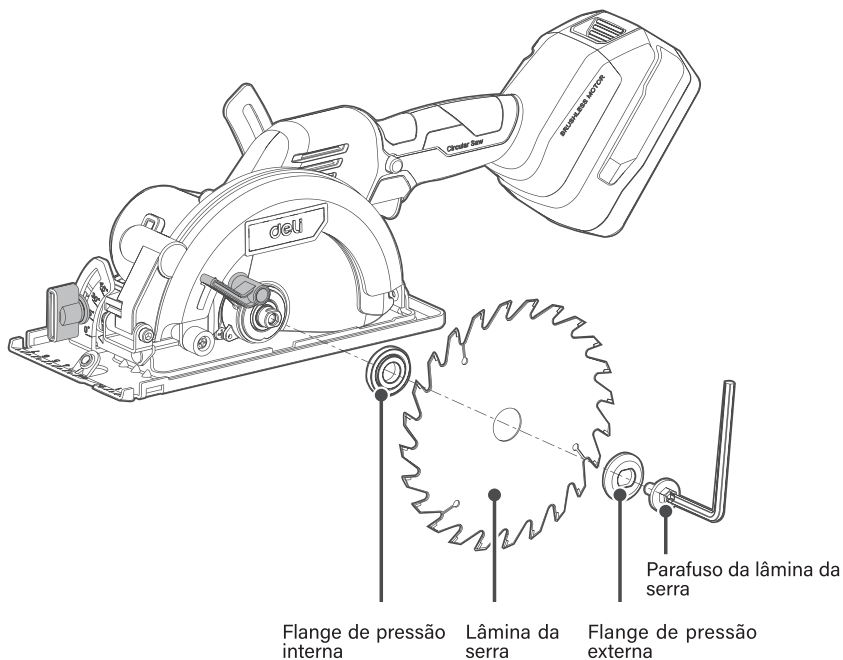
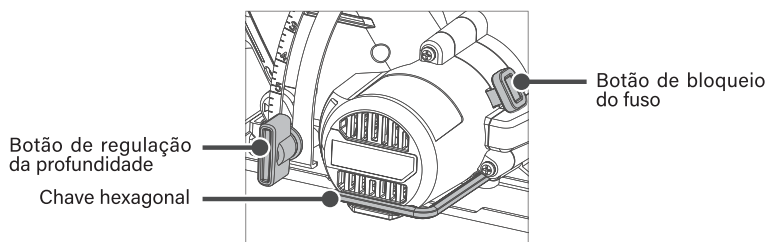
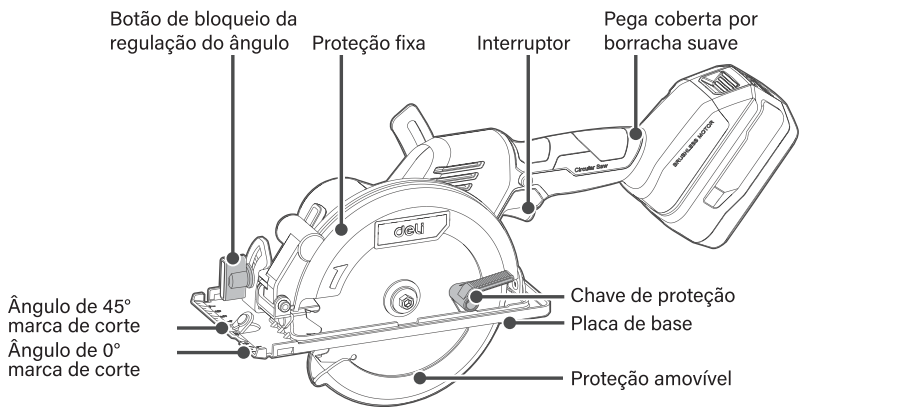
1. **Verifique se a proteção inferior está bem fechada antes de cada utilização. Não utilize a serra se o resguardo inferior não se mover livremente e não fechar instantaneamente. Nunca fixe ou amarre a proteção inferior na posição aberta.** Se a serra cair acidentalmente, a proteção inferior pode ficar deformada. Levante a proteção inferior com a alça de retração e certifique-se de que se move livremente e não toca na lâmina ou em qualquer outra parte, em todos os ângulos e profundidades de corte.
2. **Verifique o funcionamento da mola da proteção inferior. Se a proteção e a mola não estiverem a funcionar corretamente, devem ser reparadas antes de serem utilizadas.** A proteção inferior pode funcionar de forma lenta devido a peças danificadas, depósitos de borracha ou acumulação de detritos.
3. **A proteção inferior só pode ser recolhida manualmente para cortes especiais, como "cortes de penetração" e "cortes compostos". Levante a proteção inferior pelo punho de retração e, assim que a lâmina entrar no material, a proteção inferior deve ser libertada.** Para todos os outros trabalhos de serragem, a proteção inferior deve funcionar automaticamente.
4. **Verifique sempre se a proteção inferior está a cobrir a lâmina antes de pousar a serra na bancada ou no chão.** Uma lâmina desprotegida e em repouso fará com que a serra ande para trás, cortando tudo o que estiver no seu caminho. Tenha em atenção o tempo que a lâmina demora a parar depois de o interruptor ser libertado.

Instruções de segurança adicionais para todas as serras com faca separadora

Função da faca separadora

1. **Utilize a lâmina de serra adequada para a faca separadora.** Para que a faca separadora funcione, o corpo da lâmina deve ser mais fino do que ela e a largura de corte da lâmina deve ser maior do que a espessura da faca separadora.

2. **Ajuste a faca separadora conforme descrito neste manual de instruções.** Um espaçamento, posicionamento e alinhamento incorretos podem fazer com que a faca separadora não seja eficaz na prevenção de coices.
3. **Utilize sempre a faca separadora, exceto quando cortar por penetração. A faca separadora deve ser substituída após o corte por penetração.** A faca separadora causa interferência durante o corte por penetração e pode provocar um coice.
4. Para que a faca separadora funcione, **tem de estar engatada na peça de trabalho.** A faca separadora é ineficaz para evitar o coice durante os cortes curtos.
5. **Não utilize a serra se a faca separadora estiver dobrada.** Mesmo uma ligeira interferência pode abrandar a velocidade de fecho de uma proteção.



* Alguns dos acessórios mencionados nas ilustrações ou texto não estão incluídos com o produto.

Nota: Leia o manual de instruções antes de utilizar.

1 Instalar ou remover o conjunto da bateria

Quando instala ou remove o conjunto da bateria, certifique-se de que a máquina está no estado de desligada;

Quando remove o conjunto da bateria, prima o botão acima do conjunto da bateria enquanto puxa para fora da ferramenta;

Quando instala o conjunto da bateria, alinhe a palheta no conjunto da bateria com a ranhura na estrutura da máquina e deslize-a para a posição. Insira por completo na posição até o conjunto da bateria ficar bloqueado e ouvir um clique. Se não estiver instalado devidamente, pode fazer com que o conjunto da bateria se separe da ferramenta e possa provocar ferimentos pessoais.

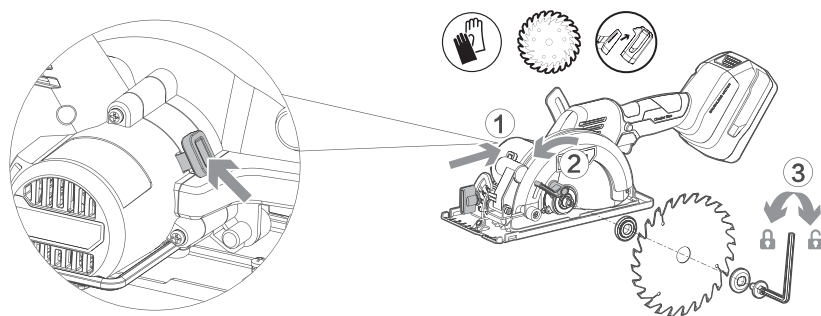
2 Instalar e remover a lâmina da serra



Aviso!

Retire sempre o conjunto da bateria antes de substituir a lâmina da serra!

Ao retirar a lâmina da serra circular elétrica, pressione firmemente o botão de bloqueio do veio para evitar que a lâmina da serra circular elétrica rode. Em seguida, desaperte o parafuso hexagonal com uma chave hexagonal e retire o parafuso da lâmina da serra, a flange de pressão exterior, a lâmina da serra circular elétrica e a flange de pressão interior. Instale a lâmina da serra circular elétrica na ordem inversa do que fez para a remover.



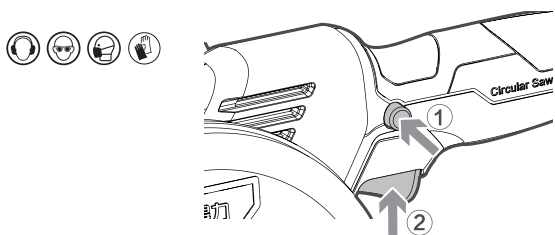
3 Operação do interruptor



Aviso! Para evitar ser cortado pela lâmina da serra, não coloque as mãos sobre a placa da base.

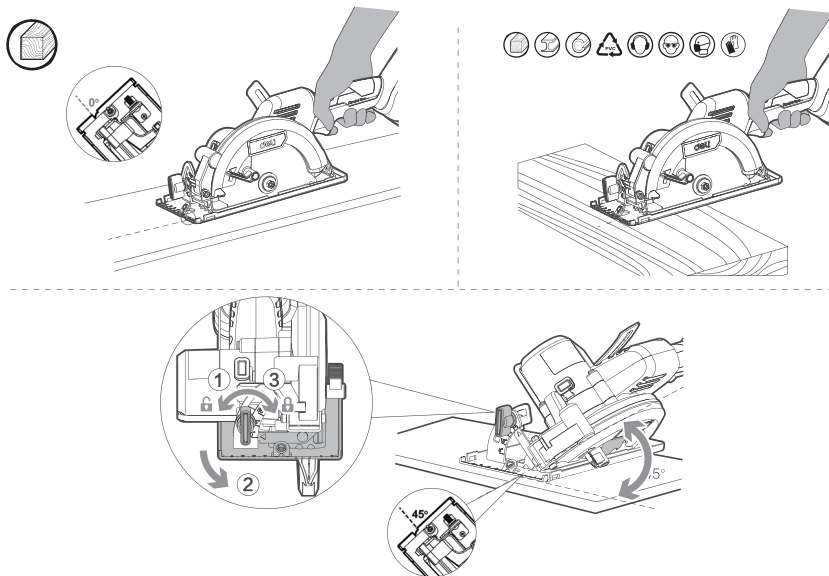
Aviso! Antes de inserir o conjunto da bateria na ferramenta, verifique sempre que o acionamento do interruptor pode ser puxado livremente e se pode voltar para a posição de desligado quando libertado.

Esta ferramenta tem um botão de bloqueio que pode evitar que os utilizadores puxem acidentalmente o gatilho do interruptor. Para ligar a ferramenta, prima o botão de bloqueio e, em seguida, puxe o gatilho do interruptor. Liberte o acionamento do interruptor para parar a ferramenta.



4 Alinhamento do corte

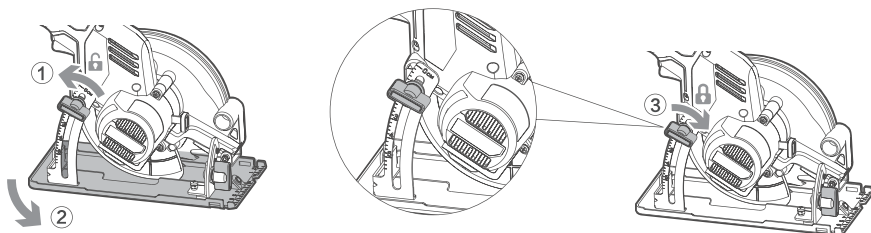
Ao cortar em linha reta, alinhe a posição dos 0° da extremidade dianteira da base com a linha de corte. Ao cortar em 45°, alinhe a posição dos 45° com a linha de corte.



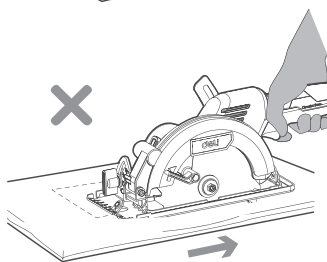
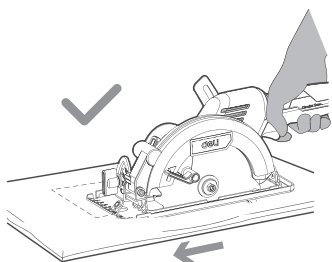
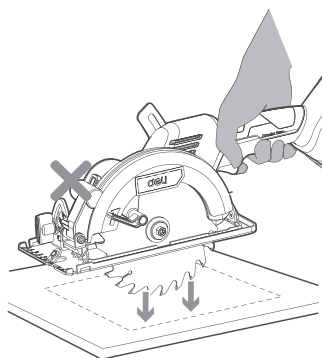
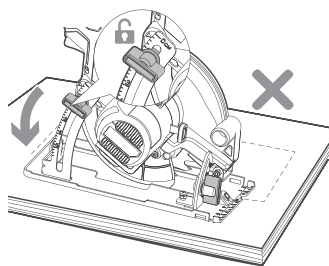
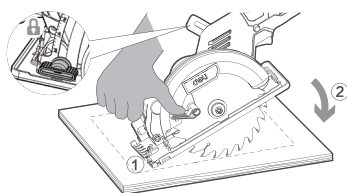
5 Ajustar o ângulo de corte



Aviso! Aperte sempre o botão de ajuste da profundidade depois de ajustar a profundidade de corte.



6 Faça um furo na placa de madeira



Cartão de Garantia de Produto

Caros utilizadores:

Obrigado pela compra dos nossos produtos. A fim de garantir o benefício da sua compra, os utilizadores que compram os nossos produtos podem contactar o distribuidor local ou os pontos de reparação especificados com a fatura e os cartões de garantia se o produto falhar devido a problemas de qualidade.

Aviso de Garantia:

1. A partir de _____ (Ano/Mês/Dia) até _____ (Ano/Mês/Dia), Se a falha acontecer numa utilização normal, a nossa empresa fornecerá garantia gratuita, substituição de peças e outros serviços de acordo com a situação da falha.
2. Este cartão de garantia e a fatura de compra são o comprovativo do serviço pós-venda fornecido pela nossa empresa aos clientes. O cartão só deve ser detalhado depois de preencher o seguinte formulário e fazer apor o selo oficial junto do distribuidor.
3. Em qualquer dos seguintes casos, o serviço de garantia gratuito será inválido e será necessário o pagamento de taxas de manutenção:
 - (1) Ultrapassada a data de validade da garantia.
 - (2) Falha ou danos causados por não terem sido seguidos os requisitos do manual do produto e/ou manutenção ou armazenamento inadequados.
 - (3) Avarias ou danos causados pela desmontagem, reparação ou modificação do produto sem a permissão da nossa empresa.
 - (4) Avaria do aparelho ou danos causados por motivo de força maior.
 - (5) Acessórios consumíveis.

Este cartão é emitido com o produto. Um cartão para cada máquina, para garantir que pode usufruir plenamente do direito ao serviço de garantia gratuito prestado pela empresa. Por favor, mantenha este cartão devidamente guardado, pois um cartão perdido não será substituído.

Data de compra: _____ (Ano/Mês/Dia)

Certificado de producto

Inspector:

01

Fecha de fabricación:

NINGBO DELI TOOLS CO., LTD.

N° 128 Chezhan West Road, Huangtan Town,

Ninghai County, Ningbo, Zhejiang, China

delitoolsglobal@nbdeli.com

www.delitoolsglobal.com

+86 574 87562689

FABRICADO EN CHINA

Reservado para uso futuro

Versión: 1.0

Fecha: Junio, 2022



Модель		DE-YJ20-1D4
Номинальное напряжение		20V
Макс. скорость вращения без нагрузки		6900/min
Макс. размер пильного диска		150mm
Режущая способность	под углом 90°	56mm
	под углом 45°	39mm
Диапазон углов резки		0-45°
Вес инструмента		1,78kg

Начальное напряжение аккумулятора — до 20 В, при нормальном использовании — 18 В.

⚠ Внимание! Используйте только перечисленные аккумуляторные батареи и зарядные устройства. Использование других аккумуляторных батарей или зарядных устройств может привести к травме и/или пожару.

Рекомендуется выбирать принадлежности в том магазине, где был приобретен электроинструмент. Выбирайте принадлежности, подходящие для выполняемых задач. Для справки ознакомьтесь с комплектом принадлежностей.

Аккумуляторная батарея	DE-DC20A2	2,0 Ач
	DE-DC20A3	2,5 Ач
	DE-DC20A4	4,0 Ач
	DE-DC20A5	5,0 Ач
	DE-DC20A6	6,0 Ач
	DE-DC20B8	8,0 Ач
Зарядное устройство	DE-CD20A2E	2 А, зарядка одного аккумулятора
	DE-CD20D4E	4 А, зарядка двух аккумуляторов
	DE-CD20A8E	8 А, зарядка одного аккумулятора

Обозначения

Прочтите	Предупреждающие	Наденьте	Наденьте защитные маску
Используйте	Наденьте защитные	Не помещайте изделие в воду	Не помещайте изделие в огонь
Алюминий	Металл	Заблокировано	Разблокировано
Древесина	Пильный диск	Plástico	Керамическая плитка
Неправильно	Правильно	Аккумуляторы содержат ионы лития. В целях защиты окружающей среды 	
Перед заменой принадлежностей извлекать	Сертификат Таможенного союза		

Оригинальная инструкция

Общие предупреждения по технике безопасности при обращении с электроинструментом

ПРЕДУПРЕЖДЕНИЕ. Ознакомьтесь со всеми предупреждениями по технике безопасности, инструкциями, иллюстрациями и спецификациями, прилагаемые к этому электроинструменту.

Несоблюдение любых из перечисленных ниже инструкций может стать причиной поражения электрическим током, возгорания и/или тяжелых травм.

Сохраните все предупреждения и инструкции для обращения к ним в будущем.

Термин «электроинструмент» в предупреждениях относится к электроинструменту, работающему от сети (проводному), или к электроинструменту, работающему от аккумулятора (беспроводному).

Безопасность рабочей зоны

- 1. Следите за тем, чтобы рабочее место было чистым и хорошо освещенным.** Загроможденные и плохо освещенное рабочее место может стать причиной несчастных случаев.
- 2. Не используйте электроинструменты во взрывоопасных средах, например в присутствии легковоспламеняющихся жидкостей, газов или пыли.** Электроинструменты создают искры, которые могут воспламенить пыль или пары.
- 3. Во время работы с электроинструментом не позволяйте детям и посторонним лицам приближаться к рабочей зоне.** Отвлекающие факторы могут привести к потере контроля над электроинструментом.

Электрическая безопасность

- 1. Вилки электроинструмента должны соответствовать розетке. Ни в коем случае не модифицируйте вилку.** Запрещено использование переходников для подключения заземленных электроинструментов. Использование немодифицированных вилок и соответствующих им розеток снижает риск поражения электрическим током.
- 2. Не прикасайтесь к заземленным предметам, таким как трубы, отопительные батареи, кухонные плиты и холодильники.** Это уменьшит риск поражения электрическим током.
- 3. Не допускайте попадания влаги на электроинструмент и не используйте его во влажной среде.** Попадание воды в

электроинструмент повышает риск поражения электрическим током.

- 4. Будьте осторожны с сетевым шнуром.** Запрещается использовать сетевой шнур для переноски, перемещения или отключения электроинструмента от сети. Держите сетевой шнур вдали от источников тепла, масла, острых краев и движущихся частей. Поврежденный или запутанный сетевой шнур повышает риск поражения электрическим током.
- 5. При работе с электроинструментом на открытом воздухе используйте удлинитель, подходящий для использования вне помещений.** Использование удлинителя, предназначенного для наружных работ, снижает риск поражения электрическим током.
- 6. При необходимости выполнять работы во влажной среде используйте источник электропитания, оборудованный устройством защитного отключения (УЗО).** Использование УЗО снижает риск поражения электрическим током.

Личная безопасность

- 1. При работе с электроинструментом будьте внимательны, следите за своими действиями и руководствуйтесь здравым смыслом. Не работайте с электроинструментом, если вы утомлены, находитесь в состоянии алкогольного, наркотического опьянения или под воздействием лекарственных средств.** Малейшая невнимательность при работе с электроинструментом может привести к серьезной травме.
- 2. Используйте средства индивидуальной защиты. Всегда надевайте средства защиты глаз.** Средства индивидуальной защиты, такие как респиратор, защитная обувь с нескользящей подошвой, каска, средства защиты органов слуха, помогут вам избежать травм.
- 3. Не допускайте случайного запуска.** Убедитесь, что выключатель находится в выключенном положении, перед тем как подключаться к источнику питания, брать или переносить электроинструмент. Переноска электроинструмента с пальцем на выключателе или подключение к источнику питания во включенном состоянии может привести к несчастному случаю.
- 4. Перед включением электроинструмента снимите с него регулировочные и гаечные ключи.** Ключ, оставшийся на вращающейся части электроинструмента, может привести к травме.

5. Не тянитесь слишком далеко. Всегда сохраняйте надлежащую опору и равновесие. Это позволяет лучше контролировать электроинструмент в непредвиденных ситуациях.
6. Одевайтесь правильно. Не носите свободную одежду и украшения. Держите волосы и одежду подальше от движущихся частей. Свободная одежда, украшения или небрежные волосы могут попасть в движущиеся части.
7. Если предусмотрены устройства для подключения приспособлений для удаления и сбора пыли, следите за тем, чтобы такие приспособления подключались и использовались надлежащим образом. Использование пылеулавливающей системы может снизить влияние опасных факторов.
8. Не допускайте того, чтобы в результате приобретенного опыта работы с электроинструментами вы потеряли бдительность и игнорировали технику безопасности. Неосторожное действие может привести к серьезной травме в течение доли секунды.

Эксплуатация электроинструмента и уход за ним

1. Не перегружайте электроинструмент. Правильно подбирайте электроинструмент для работы. Правильно подобранный электроинструмент лучше и безопаснее выполняет работу на предусмотренных оборотах.
2. Не используйте электроинструмент, если его невозможно включить и выключить выключателем. Любой электроинструмент, которым нельзя управлять с помощью выключателя, опасен и подлежит ремонту.
3. Отсоедините вилку от источника питания и/или извлеките из электроинструмента аккумуляторную батарею, если она съемная, прежде чем выполнять настройку, менять насадки или помещать электроинструмент на хранение. Такие превентивные меры безопасности снижают риск случайного включения электроинструмента.
4. Храните неиспользуемые электроинструменты в недоступном для детей месте и не позволяйте лицам, не знакомым с электроинструментом или данными инструкциями, работать с электроинструментом. Электроинструменты опасны в руках неподготовленных пользователей.
5. Поддерживайте электроинструменты и насадки в надлежащем рабочем состоянии. Проверьте движущиеся детали на предмет несоосности или

заедания, выявите сломанные детали и другие условия, которые могут повлиять на работу электроинструмента. В случае повреждения отремонтируйте электроинструмент перед использованием. Многие несчастные случаи вызваны плохим обслуживанием электроинструмента.

6. Держите режущие инструменты в заточенном и чистом состоянии. Правильно обслуживаемые режущие инструменты с острыми режущими кромками с меньшей вероятностью заедают, и ими легче управлять.
7. Используйте электроинструмент, принадлежности, насадки и т. д. в соответствии с настоящей инструкцией, принимая во внимание рабочие условия и выполняемую работу. Использование электроинструмента для операций, отличных от предусмотренных, может привести к возникновению опасной ситуации.
8. Держите ручки и поверхности для захвата сухими, чистыми и не допускайте попадания на них смазки. Скользкие ручки и поверхности для захвата не позволяют безопасно обращаться с инструментом и контролировать его в непредвиденных ситуациях.

Эксплуатация аккумуляторных инструментов и уход за ними

1. Используйте только зарядное устройство, указанное производителем. Зарядное устройство, подходящее для одного типа аккумуляторов, может стать причиной возгорания при использовании его с аккумуляторами другого типа.
2. Используйте электроинструменты только с предназначенными для них аккумуляторами. Использование любых других аккумуляторов может привести к возникновению пожара и травмам.
3. Когда аккумулятор не используется, держите его вдали от других металлических предметов, таких как скрепки, монеты, ключи, гвозди, винты или другие мелкие металлические предметы, которые могут соединить одну клемму с другой. Короткое замыкание на клеммах аккумулятора может привести к ожогам или пожару.
4. При небрежном обращении из аккумулятора может вытекать содержащаяся в нем жидкость; избегайте контакта с этой жидкостью. При случайном контакте промойте место контакта водой. При попадании жидкости в глаза обязательно обратитесь за медицинской помощью. Жидкость, вытекающая из аккумулятора, может вызвать раздражение или ожоги.

5. **Не используйте поврежденные или модифицированные аккумуляторы или инструменты.** Поврежденные или модифицированные аккумуляторы неустойчивы в работе, что может привести к возгоранию, взрыву или травмам.
6. **Аккумулятор и инструменты не должны подвергаться воздействию огня или чрезмерной температуры.** Воздействие огня или температуры выше 130 °C может привести к взрыву.
7. **Следуйте всем инструкциям по зарядке и не заряжайте аккумулятор или инструмент, если окружающая температура находится за пределами разрешенного диапазона.** Неправильная зарядка или зарядка при температурах, выходящих за пределы указанного диапазона, может привести к повреждению аккумулятора и значительно повышает риск возгорания.

Обслуживание

1. **Доверяйте обслуживание электроинструмента квалифицированному специалисту и используйте только оригинальные запасные части.** Это обеспечит безопасность электроинструмента.
2. **Проводить обслуживание поврежденных аккумуляторов строго запрещено.** Таким обслуживанием должен заниматься только производитель или его уполномоченный представитель.

Дополнительные инструкции по технике безопасности для всех видов пилы

1. **ОПАСНО Держите руки подальше от лезвия и зоны резки. Второй рукой лучше держаться за вспомогательную рукоятку или корпус двигателя.** Если вы держите пилу обеими руками, то их нельзя порезать лезвием.
2. **Не просовывайте руку под заготовку.** Защитный щиток не защитит вас от лезвия, которое находится под заготовкой.
3. **Отрегулируйте глубину резания с учетом толщины заготовки.** Под заготовкой должно быть видно менее одного полного зубца.
4. **Во время резки никогда не держите заготовку в руках и не располагайте ее поперек ноги. Закрепите заготовку на устойчивой платформе.** Важно правильно организовать порядок работы, чтобы свести к минимуму заклинивание лезвия, возможное воздействие на тело и потерю контроля.

Дополнительные инструкции по технике безопасности для всех видов пил

Предупреждения об отскоке и соответствующие меры предосторожности

- Отскок — это внезапная реакция на защемление, заклинивание или перекос диска пропила, которая вызывает неконтролируемый подъем пилы вверх в сторону оператора;
 - Если диск зажат или застрял из-за закрытия пропила, полотно останавливается, и из-за вращения двигателя пилу отбрасывает к оператору;
 - Если при резке диск перекручивается или смещается, зубцы на его задней кромке могут впитаться в верхнюю поверхность древесины. В результате диск выйдет из пропила и отскочит обратно к оператору.
- Отскок — это результат ненадлежащей эксплуатации пилы или несоблюдения правил ее эксплуатации. Чтобы избежать отскока, соблюдайте указанные ниже меры предосторожности.

1. **Крепко держите пилу обеими руками. Располагайтесь так, чтобы отскок можно было нейтрализовать руками. Займите такое положение, чтобы тело находилось на одной из сторон диска, но не на одной линии с ним.** Отскок может привести к тому, что пилу отбросит назад, но оператор может контролировать силу отскока, если были предприняты соответствующие меры предосторожности.
2. **При заклинивании полотна или прерывании работы по любой причине отпустите курок-переключатель и удерживайте пилу неподвижно в материале до полной остановки диска. Запрещается извлекать пилу из канала реза или тянуть ее назад во время движения диска, иначе возможен отскок.** Примите необходимые меры по устранению причины заклинивания диска.
3. **При повторном запуске пилы в канале реза отцентрируйте диск так, чтобы зубцы не зацепились за материал.** Если диск заедает, то при перезапуске он может подняться вверх или отскочить от заготовки.
4. **Придерживайте большие по размеру заготовки, чтобы свести к минимуму риск защемления лезвия и отскока. Заготовки большого размера провисают под собственным весом.** Под заготовку необходимо поставить опоры: одну вблизи линии реза, а вторую вблизи края заготовки.
5. **Не используйте тупые или поврежденные лезвия.** Не заточенные или неправильно установленные лезвия создают узкий пропилен, что приводит к чрезмерному трению, заеданию и отскоку.
6. **Перед резкой необходимо затянуть и надежно зафиксировать стопорные рычаги регулировки глубины и наклона диска.** Если регулировка диска смещается во время резки, это может привести к заеданию и отскоку.
7. **Соблюдайте особую осторожность при пилении существующих стен и других глухих объектов.** Выступающий диск может задеть посторонние элементы, что вызовет отскок.

Инструкции по технике безопасности для маятниковых пил с маятниковым ограждением и пил с защитой от заклинивания.

Функция нижнего щитка

1. **Перед каждым использованием убедитесь, что нижний щиток закрыт. Не используйте пилу, если движению нижнего щитка что-то мешает и он не закрывается мгновенно. Запрещается зажимать или привязывать нижний щиток в открытом положении.**

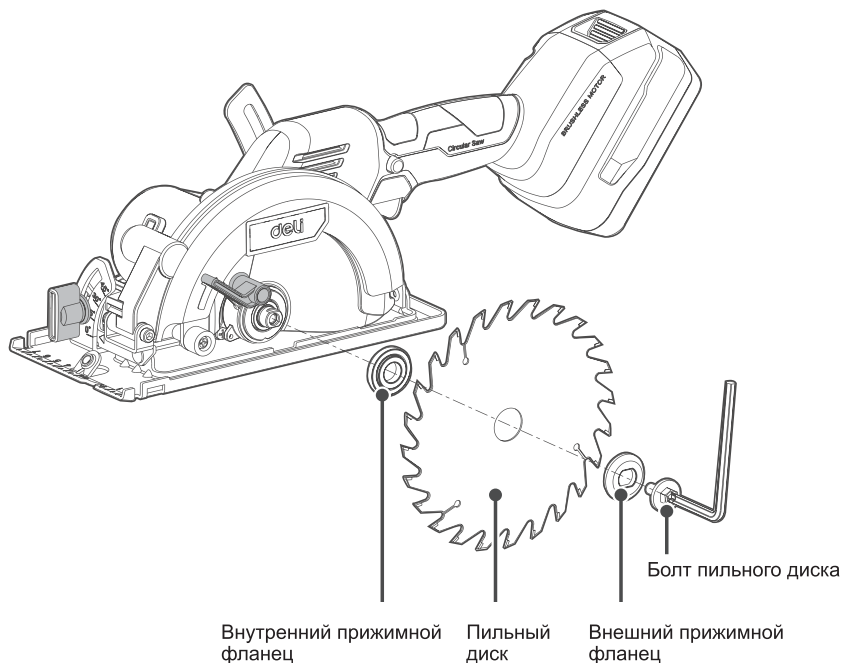
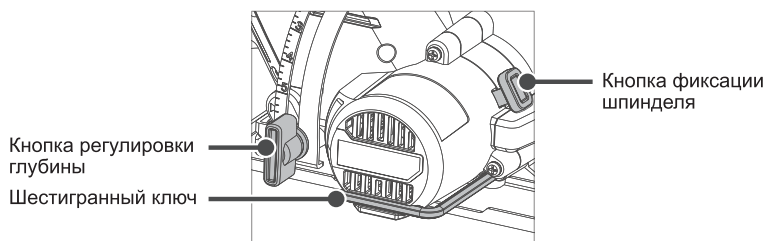
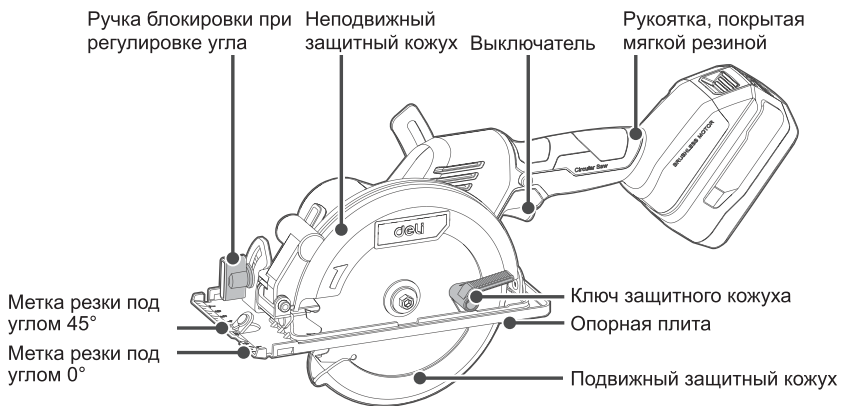
Если пилу случайно уронить, нижний щиток может погнуться. Поднимите нижний щиток с помощью ручки и убедитесь, что он свободно движется и не касается лезвия или другой части пилы при любом угле и глубине реза.

2. **Проверьте работу пружины нижнего щитка. Если щиток и пружина не работают должным образом, перед началом эксплуатации их необходимо отремонтировать.** Нижний щиток может работать медленно из-за повреждения, наличия смолистых отложений или скопления мусора.
3. **Нижний щиток можно стягивать вручную только для специальных видов реза, например «погружного» и «сложного» реза.** Поднимите нижний щиток за ручку и, как только лезвие войдет в материал, отпустите щиток. При любых других видов реза нижний щиток должен срабатывать автоматически.
4. **Прежде чем ставить пилу на стол или пол, обязательно следите за тем, чтобы нижний щиток закрывал диск.** Незащищенный инерционный диск заставит пилу двигаться назад, разрезая все, что находится на ее пути. Учитывайте время, необходимое для остановки диска после отпускания курка-переключателя.

Дополнительные инструкции по технике безопасности для всех пил с расклинивающим ножом.

Функция расклинивающего ножа

1. **Используйте подходящий диск для расклинивающего ножа.** Для правильной работы расклинивающего ножа корпус диска должен быть тоньше, чем нож, а ширина резания должна быть шире, чем толщина ножа.
2. **Отрегулируйте нож, как это описано в данном руководстве по эксплуатации.** Неправильный выбор расстояния, расположения и выравнивания могут сделать расклинивающий нож неэффективным для предотвращения отскока.
3. **Используйте расклинивающий нож во всех случаях, кроме глубокого резания.** После глубокого резания расклинивающий нож необходимо заменить. Расклинивающий нож мешает при глубоком резании и может вызвать отскок.
4. **Для правильной работы расклинивающего ножа он должен зацепляться за заготовку.** Нож неэффективен для предотвращения отскока при коротких резах.
5. **Не пользуйтесь пилой, если расклинивающий нож погнут.** Даже небольшая деформация может замедлить скорость закрытия защитного щитка.



* Некоторые принадлежности, представленные на иллюстрациях или в тексте, не входят в комплект поставки.

Примечание: Ознакомьтесь с руководством по эксплуатации перед использованием инструмента.

1 Установка или снятие аккумуляторной батареи

При установке или снятии аккумуляторной батареи убедитесь, что инструмент выключен. Для извлечения аккумуляторной батареи нажмите кнопку над ней и вытащите ее из инструмента. Для установки совместите выступ на аккумуляторной батарее с канавкой в корпусе инструмента и вставьте аккумулятор. Задвигайте ее, пока она не зафиксируется и не защелкнется. Неправильная установка может привести к отсоединению аккумуляторной батареи от инструмента и нанесению травмы.

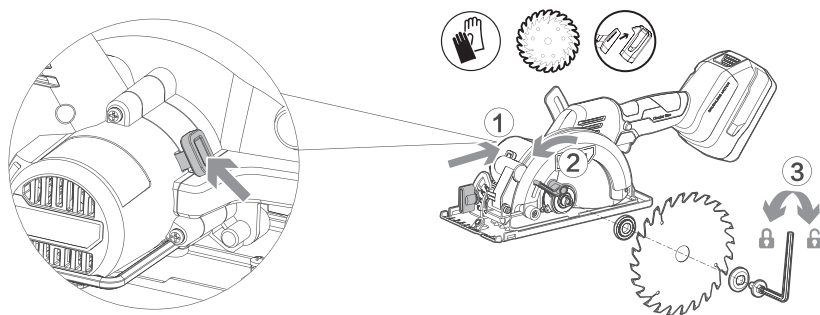
2 Установка и снятие пильного диска



Внимание!

Всегда извлекайте аккумулятор перед заменой пильного диска!

При снятии пильного диска циркулярной пилы с силой нажмите кнопку фиксатора шпинделя, чтобы предотвратить вращение пильного диска. Затем ослабьте болт с шестигранным гнездом в головке с помощью шестигранного ключа и снимите болт пильного диска, внешний прижимной фланец, пильный диск циркулярной пилы и внутренний прижимной фланец. Установите пильный диск циркулярной пилы в порядке, обратном снятию.

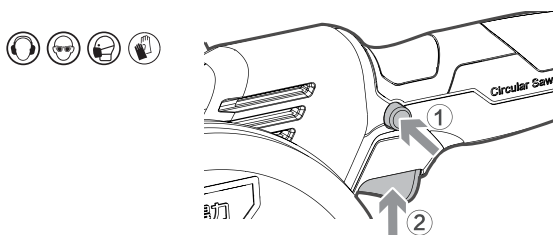


3 Включение/выключение



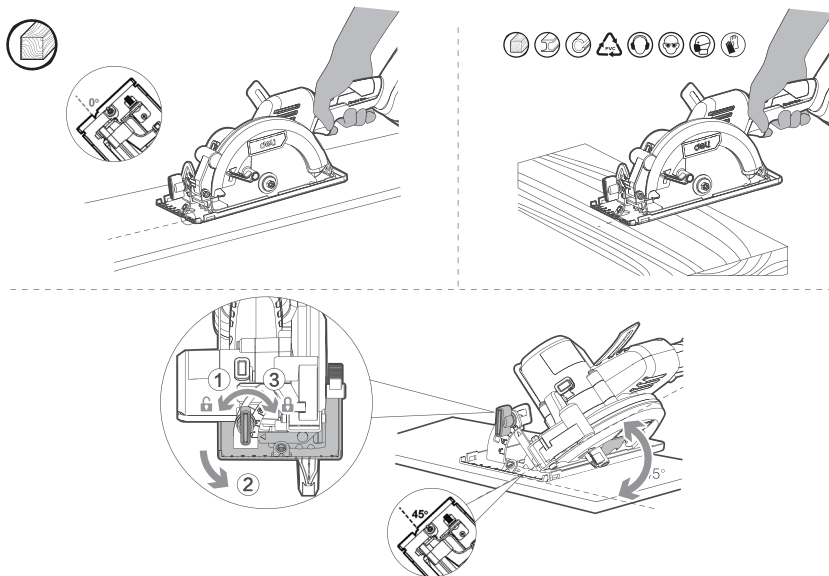
Внимание! Во избежание порезов пильным диском, не помещайте руки на опорную плиту.
Внимание! Прежде чем вставить аккумулятор в инструмент, всегда проверяйте, легко ли нажимается курковый выключатель и возвращается ли он в исходное положение при отпускании.

Этот инструмент оснащен кнопкой блокировки, которая предотвращает случайное нажатие на курковый выключатель. Чтобы включить инструмент, нажмите кнопку блокировки, а затем нажмите курковый выключатель. Для остановки инструмента отпустите курковый выключатель.



4 Выравнивание при резке

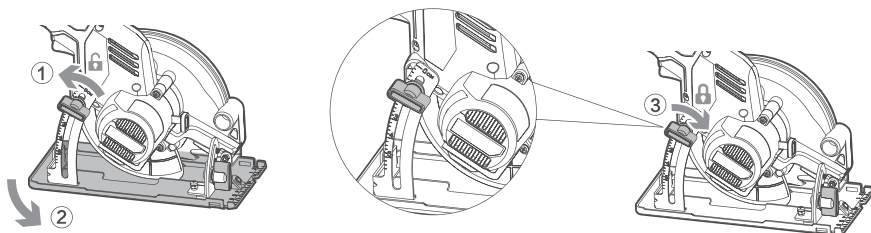
При резке по прямой совместите метку 0° переднего конца опорной плиты с линией разреза. При резке под углом 45° совместите метку 45° с линией разреза.



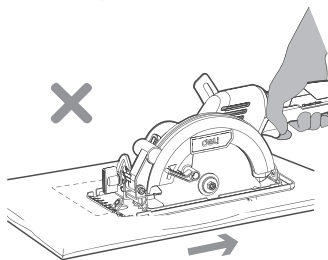
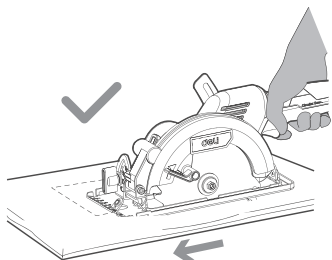
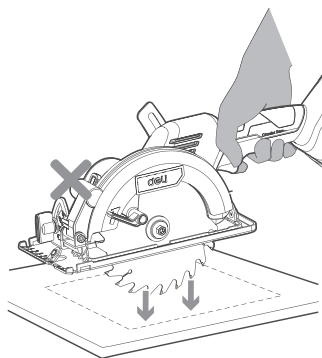
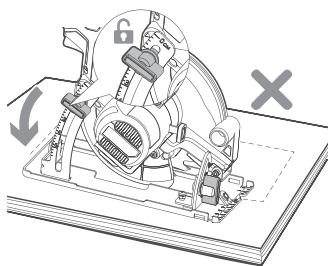
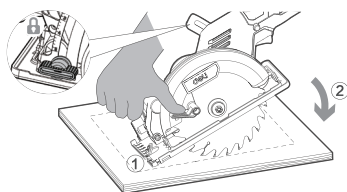
5 Регулировка угла резки



Внимание! Всегда затягивайте ручку регулировки глубины после установки глубины резки.



6 Прорезание отверстия в деревянной плите



Гарантийный талон продукта

Уважаемые пользователи!

Благодарим вас за приобретение нашей продукции. Если приобретенное вами изделие вышло из строя из-за проблем с качеством, вы можете обратиться к местному дистрибьютору или в указанные пункты ремонта, приложив счет-фактуру и гарантийные талоны.

Гарантийное уведомление:

1. От _____ (год/месяц/день) до _____ (год/месяц/день), Если выход из строя произошел при обычном использовании, наша компания предоставит бесплатную гарантию, замену деталей и другие услуги в зависимости от характера поломки.
2. Настоящий гарантийный талон и счет-фактура являются ваучером послепродажного обслуживания, предоставляемого нашей компанией клиентам. Вносить данные в талон следует только после заполнения следующей формы и скрепления официальной печатью дистрибьютора.
3. При возникновении одного из следующих случаев бесплатное гарантийное обслуживание является недействительным и взимается плата за ремонт:
 - (1) Истек срок службы изделия.
 - (2) Неисправность или повреждение вызванные несоблюдением требований руководства по эксплуатации изделия, техническому обслуживанию или неправильными условиями хранения.
 - (3) Неисправность или повреждение вызванные разборкой, ремонтом или модификацией изделия без разрешения нашей компании.
 - (4) Поломка или повреждение изделия, вызванные форс-мажорными обстоятельствами.
 - (5) Расходные материалы и принадлежности.

Настоящий талон выдан вместе с изделием. Один талон на одно изделие. Чтобы в полной мере воспользоваться правом на бесплатное гарантийное обслуживание, предоставляемое компанией, необходимо сохранить талон в целостности, утерянный талон замене не подлежит.

Дата покупки: _____ (год/месяц/день)

Сертификат продукции

Контролирующий орган:

01

Дата производства:

NINGBO DELI TOOLS CO., LTD.

N° 128 Chezhan West Road, Huangtan Town,

Ninghai County, Ningbo, Zhejiang, Chine

delitoolsglobal@nbdeli.com

www.delitoolsglobal.com

+86 574 87562689

СДЕЛАНО В КИТАЕ

Сохранено для будущего использования

Версия: 1.0

Дата: июнь 2022 г.



بطاقة ضمان المنتج

المفتش:

01

تاريخ التصنيع:

NINGBO DELI TOOLS CO., LTD

No. 128 Chezhan West Road, Huangtan Town

Ninghai County, Ningbo, Zhejiang, China

delitoolsglobal@nbdeli.com

www.delitoolsglobal.com

86+ 574 87562689

صنع في الصين

هذه الاستمارة مُخصصة للاستخدام المستقبلي

إصدار: 1.0

التاريخ: يونيو 2022



بطاقة ضمان المنتج

أعزائي المستخدمين:

شكراً لاختياركم مُنتجنا. لضمان حصولكم على أقصى استفادة ممكنة، يمكن لعمالنا الاتصال بالوكيل المحلي أو بمحطات الصيانة المحددة عند حدوث أي عيوب في المنتج بسبب مشاكل في الجودة، وذلك باستخدام فاتورة الشراء وبطاقة الضمان.

إشعار الضمان:

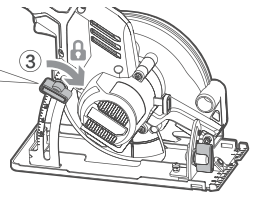
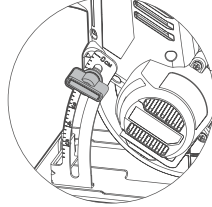
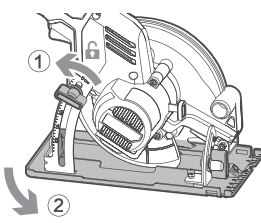
1. من _____ (اليوم/ الشهر/ السنة) إلى _____ (اليوم/ الشهر/ السنة)، بالضمان رضاكم، ستقدم شركتنا ضمانًا مجانيًا واستبدال القطع وأعمال الصيانة الأخرى عند حدوث أي عطل أثناء الاستخدام العادي، وذلك بما يتناسب مع طبيعة العطل المحدد.
2. تعد بطاقة الضمان هذه وفاتورة الشراء إثباتًا لخدمة ما بعد البيع التي تقدمها شركتنا للعملاء. يمكن تقديم طلب الحصول على بطاقة الضمان من خلال ملء النموذج التالي ووضع الختم الرسمي من قبل الموزع.
3. لن يتم تقديم خدمات الصيانة مجانًا ويتوجب دفع رسومها كاملة في حالة وجود إحدى الحالات التالية:
 - (1) تجاوز تاريخ الانتهاء؛
 - (2) عطل أو تلف المنتج نتيجة عدم اتباع متطلبات دليل المنتج أو الصيانة أو التخزين الصحيح؛
 - (3) العطل أو التلف الناتج عن تفكيك أو إصلاح أو تعديل المنتج بدون إذن من شركتنا؛
 - (4) العطل أو التلف الناتج عن القوة القاهرة؛
 - (5) الملحقات الاستهلاكية.

يتم إصدار هذه البطاقة مع المنتج. يرجى الاحتفاظ بطاقة ضمان المنتج بشكل صحيح، حيث تضمن هذه البطاقة حق الاستفادة من الخدمة المجانية للضمان التي تقدمها الشركة، علماً بأنه لا يمكن استبدالها في حالة الفقد.

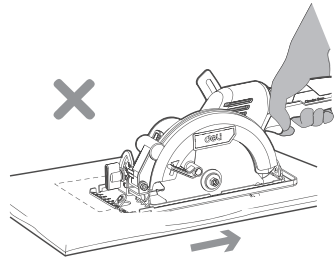
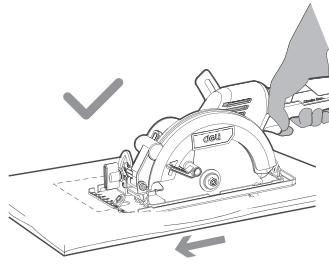
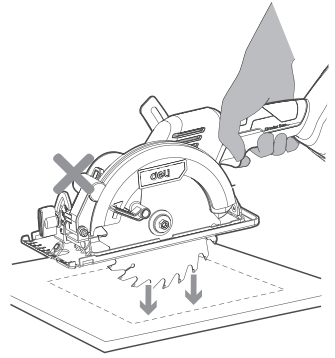
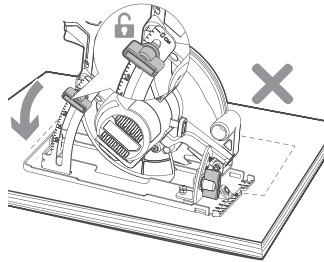
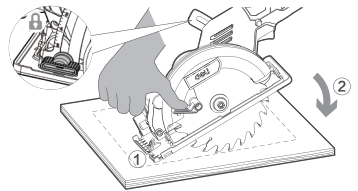
تاريخ الشراء: _____ (اليوم/ الشهر/ السنة)

5 ضبط زاوية القطع

تحذير! فم دائما بتشديد زر تعديل العمق بعد ضبط عمق القطع.



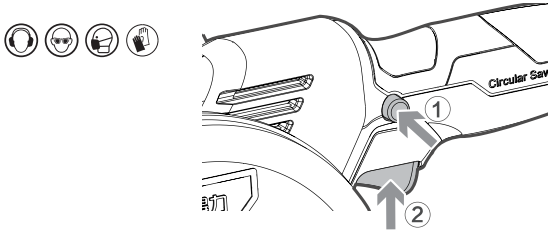
6 اصنع ثقبًا في اللوحة الخشبية



تحذير! لتجنب التعرض للجرح بشفرة المنشار، لا تضع يديك على لوحة القاعدة.
تحذير! قبل إدخال مجموعة البطارية في الأداة، تحقق دائماً فيما إذا كان بالإمكان سحب مشغل المفتاح بحرية وفيما إذا كان يمكنه العودة إلى الموضع الأصلي عند تحريره.

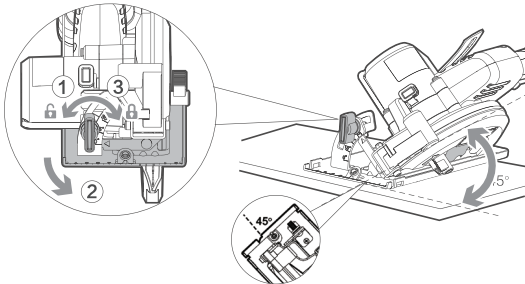
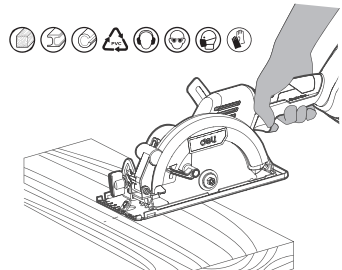
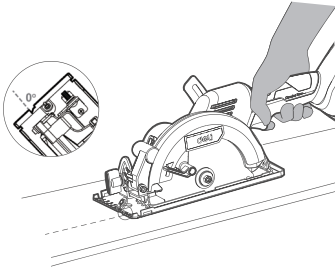


تحتوي هذه الأداة على زر قفل يمكن أن يمنع المستخدمين من سحب مشغل المفتاح عن طريق الخطأ. لبدء تشغيل الأداة، اضغط على زر القفل ثم اسحب مشغل المفتاح. حرر مشغل المفتاح لإيقاف الأداة.



4 محاذاة القطع

عند القطع في خط مستقيم، فم بمحاذاة موضع 0 درجة للطرف الأمامي للقاعدة مع خط القطع. عند القطع بزاوية 45 درجة، فم بمحاذاة موضع 45 درجة مع خط القطع.



ملاحظة: اقرأ دليل التعليمات قبل التشغيل.

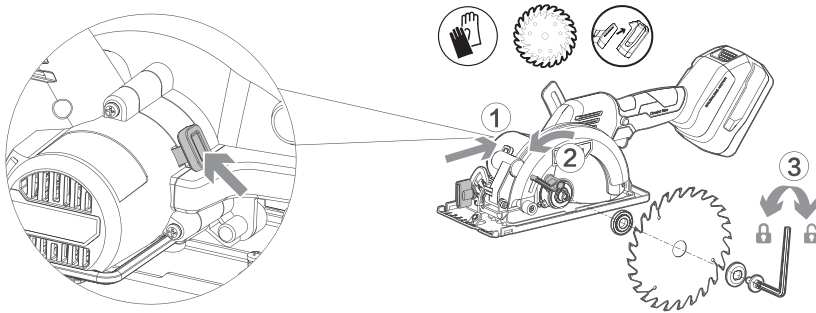
1 تركيب أو إزالة مجموعة البطارية

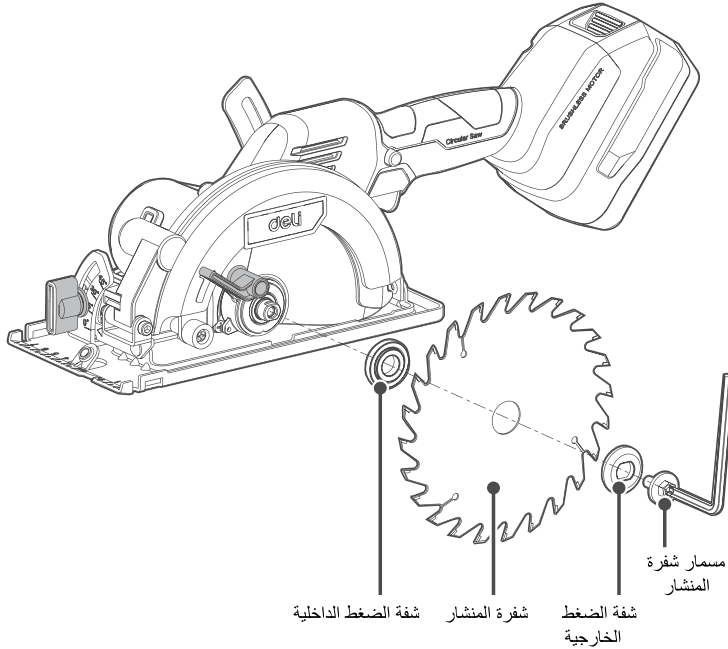
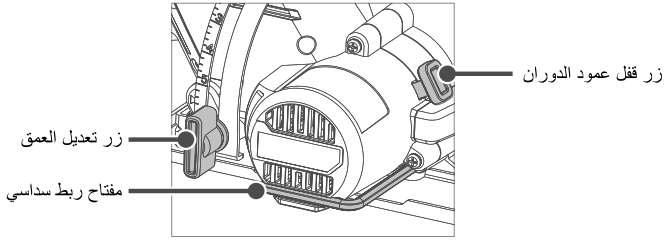
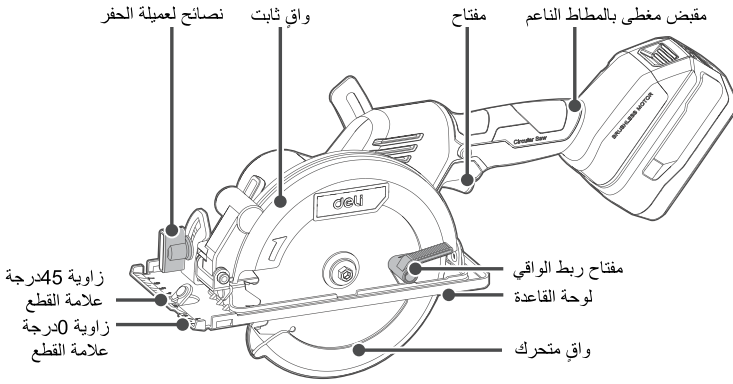
عند تثبيت مجموعة البطارية أو إزالتها، تأكد من أن الماكينة في حالة إغلاق؛
عند إزالة مجموعة البطارية، اضغط على الزر فوق مجموعة البطارية أثناء سحبها من الأداة،
عند تركيب مجموعة البطارية، قم بمحاذاة المجرى الموجود على مجموعة البطارية مع المجرى الموجود على مبيت الماكينة، ثم قم بتركيبها في ذلك
المكان. أدخلها بالكامل في مكانها بحيث يجري القفل عليها وتصدر صوت إحكام التركيب. إذا لم يتم تركيبها بشكل صحيح، فقد يتسبب ذلك في انفصال
مجموعة البطارية عن الماكينة والتسبب في إصابة شخصية.

2 تثبيت وإزالة شفرة المنشار

تحذير!
فم دائماً بإزالة مجموعة البطارية قبل استبدال شفرة المنشار!

عند إزالة شفرة المنشار الدائري الكهربائي، اضغط بقوة على زر قفل محور الدوران لمنع شفرة المنشار الدائري الكهربائي من الدوران. بعد ذلك، فم
بارخاء المسمار السداسي باستخدام مفتاح ربط سداسي، وفم بإزالة مسمار شفرة المنشار، وشفة الضغط الخارجية، وشفرة المنشار الدائري الكهربائي،
وشفة الضغط الداخلية. فم بتثبيت شفرة المنشار الدائري الكهربائي بالترتيب العكسي للإزالة.





* بعض الملحقات المذكورة في الرسوم التوضيحية أو النص غير مدرجة في نطاق التوريد.

3. لا يجوز سحب الواقي السفلي يدويًا إلا لإجراء عمليات قطع خاصة مثل "القطع الغاطسة" و"القطع المركبة". ارفع الواقي السفلي بواسطة المقبض المتراجع، وبمجرد دخول الشفرة إلى المادة، يجب تحرير الواقي السفلي. بالنسبة لجميع عمليات النشر الأخرى، يجب أن يعمل الواقي السفلي تلقائيًا.
4. لاحظ دائمًا أن الواقي السفلي يغطي الشفرة قبل وضع المنشار على المصطبة أو الأرضية. ستتسبب الشفرة غير المحمية في تحرك المنشار للخلف، مما يؤدي إلى قطع كل ما هو في طريقه. كُن متنبهاً للوقت الذي تستغرقه الشفرة للتوقف بعد تحرير المفتاح.

تعليمات سلامة إضافية ل كافة المناشير المزودة بسكين تمزيق

وظيفة سكين التمزيق

1. استخدم شفرة المنشار المناسبة لسكين التمزيق. لكي تعمل سكين التمزيق، يجب أن يكون جسم الشفرة أرق من سكين التمزيق ويجب أن يكون عرض القطع الذي تعمله الشفرة أوسع من سمك سكين التمزيق.
2. اضبط سكين التمزيق كما هو موضح في دليل التعليمات هذا. يمكن أن يؤدي التباعد والوضع والمحاذاة غير الصحيحة إلى جعل سكين التمزيق غير فعال في منع الارتداد.
3. استخدم سكين التمزيق دائمًا إلا فيما عدا القطع الغاطس. يجب استبدال سكين التمزيق بعد القطع الغاطس. تتسبب سكين التمزيق في حدوث تداخل أثناء القطع الغاطس ويمكن أن تؤدي إلى حدوث ارتداد.
4. لكي تعمل سكين التمزيق، يجب أن تكون متصلة بقطعة العمل. سكين التمزيق غير فعالة في منع الارتداد أثناء عمليات القطع القصيرة.
5. لا تقم بتشغيل المنشار إذا كانت سكين التمزيق مثنية. حتى التداخل الطفيف يمكن أن يبطئ معدل إغلاق الواقي.

تعليمات سلامة إضافية لكافة المناشير

أسباب الارتداد والتحذيرات ذات الصلة

- الارتداد هو عبارة عن رد فعل مفاجئ لشفرة المنشار المضغوطة أو المحشورة أو المنحرفة، مما يتسبب في رفع المنشار غير المتحكم فيه للأعلى وخروجه من قطعة العمل باتجاه المشغل؛
- عندما تكون الشفرة مضغوطة أو محشورة بإحكام بسبب إغلاق الشق، فإن الشفرة تتوقف ويقوم رد فعل المحرك بدفع الوحدة بسرعة نحو المشغل؛
- إذا أصبحت الشفرة ملتوية أو منحرفة في القطع، يمكن للأسنان الموجودة على الحافة الخلفية للشفرة أن تحفر في السطح العلوي للخشب مما يؤدي إلى خروج الشفرة من الشق والقفز مرة أخرى نحو المشغل.
- الارتداد هو نتيجة لإساءة استخدام المنشار وأ/أو إجراءات التشغيل أو شروط التشغيل غير الصحيحة، ويمكن تجنبه باتخاذ الاحتياطات المناسبة كما هو موضح أدناه.

1. حافظ على الإمساك بالمنشار بكلتا اليدين بقوة وضع ذراعك لمقاومة قوى الارتداد. ضع جسمك على أحد جانبي الشفرة، ولكن ليس على خط واحد مع الشفرة. يمكن أن يؤدي الارتداد إلى قفز المنشار إلى الخلف، ولكن يمكن للمشغل التحكم في قوى الارتداد إذا تم اتخاذ الاحتياطات المناسبة.
2. عندما يتم إعاقة الشفرة، أو عند مقاطعة القطع لأي سبب من الأسباب، حرر الزناد وأمسك المنشار دون حركة في المادة حتى تتوقف الشفرة تمامًا. لا تحاول مطلقًا إزالة المنشار من العمل أو سحب المنشار للخلف أثناء حركة الشفرة، وإلا قد يحدث ارتداد. فم بالتحقق واتخذ الإجراءات التصحيحية للقضاء على سبب إعاقة الشفرة.
3. عند إعادة تشغيل المنشار في قطعة العمل، فم بتوسيط شفرة المنشار في الشق بحيث لا تتشابك أسنان المنشار مع المادة. إذا تمت إعاقة شفرة المنشار، فقد ترتفع أو ترتد من قطعة العمل عند إعادة تشغيل المنشار.
4. دعم الألواح الكبيرة من أجل تقليل مخاطر انضغاط الشفرة والارتداد. تميل الألواح الكبيرة إلى التذبذب بسبب وزنها. يجب وضع الدعائم أسفل اللوحة على كلا الجانبين، بالقرب من خط القطع وبالقرب من حافة اللوحة.
5. لا تستخدم الشفرات الكليشة أو التالفة. الشفرات غير المشحذة أو الموضوعة بشكل غير صحيح تحدث شفاً ضيقاً يسبب احتكاكاً مفرطاً وإعاقة للشفرة وارتداداً.
6. يجب أن تكون أذرع قفل ضبط عمق الشفرة وشطبة الشفرة محكمة وأمنة قبل إجراء القطع. إذا تحرك ضبط الشفرة أثناء القطع، فقد يتسبب ذلك في الإعاقة والارتداد.
7. توخى المزيد من الحذر عند النشر في الجدران الموجودة أو غيرها من المناطق غير الواضحة. قد تؤدي الشفرة البارزة إلى قطع الأشياء التي يمكن أن تسبب ارتداداً.

تعليمات السلامة للمناشير ذات الوافي البنديلي والمناشير المزودة بواقي سحب

وظيفة الواقي السفلي

1. تحقق من الواقي السفلي للتأكد من إغلاقه بشكل صحيح قبل كل استخدام. لا تقم بتشغيل المنشار إذا لم يتحرك الواقي السفلي بحرية وينغلق على الفور. لا تقم مطلقاً بتثبيت الواقي السفلي أو ربطه في الوضع المفتوح. إذا سقط المنشار عن طريق الخطأ، فقد ينثني الواقي السفلي. ارفع الواقي السفلي بالمقبض المتراجع وتأكد من تحركه بحرية وعدم ملامسته للشفرة أو أي جزء آخر في جميع زوايا وأعناق القطع.
2. تحقق من عمل الزنبرك السفلي. إذا كان الواقي والزنبرك لا يعملان بشكل صحيح، فيجب صيانتهم قبل الاستخدام. قد يعمل الواقي السفلي ببطء بسبب القطع التالفة أو الرواسب اللزجة أو تراكم الحطام.

3. عندما لا تكون حزمة البطارية قيد الاستخدام، ابعدها عن الأشياء المعدنية الأخرى، مثل المشابك الورقية أو العملات المعدنية أو المفاتيح أو الأظافر أو البراغي أو غيرها من الأشياء المعدنية الصغيرة، التي يمكنها الاتصال من محطة إلى أخرى. قد يتسبب قصير محطات البطارية مغناطيسية حدوث حروق أو حريق.
4. يجوز إخراج السائل من البطارية في ظروف تصفية؛ تجنب الاتصال. إذا حدث الاتصال عن طريق الخطأ، اغسله بالماء إذا لامس السائل العين، فاطلب المساعدة الطبية أيضاً. قد يسبب السائل القادم من البطارية تهيجاً أو حرقاً.
5. لا تستخدم حزمة بطارية أو أداة تالفة أو معدلة. قد تظهر البطاريات التالفة أو المعدلة سلوكاً لا يمكن التنبؤ به مما يؤدي إلى حريق أو انفجار أو خطر الإصابة.
6. لا تعرض حزمة بطارية أو أداة للحريق أو درجة حرارة مفرطة. قد يتسبب التعرض للحريق أو درجة الحرارة التي تزيد عن 130 درجة مئوية في حدوث انفجار.
7. اتبع جميع تعليمات الشحن ولا تشحن حزمة البطارية أو الأداة خارج نطاق درجة الحرارة المحددة في التعليمات. قد يؤدي الشحن بشكل غير صحيح أو في درجات حرارة خارج النطاق المحدد إلى إتلاف البطارية وزيادة خطر نشوب حريق.

الخدمة

1. لا تقم بصيانة الأداة الكهربائية التي لديك إلا بواسطة فني إصلاح مؤهل لاستخدام قطع غير متطابقة. وذلك للحفاظ على سلامة الأداة الكهربائية.
2. لا تقدم أبداً حزم البطاريات التالفة. يجب أن يتم توفير خدمة عيوات البطاريات من قبل الشركة المصنعة أو مزودي الخدمة المعتمدين فقط.

تعليمات سلامة إضافية لكافة المناشير

إجراءات القطع

1. خطر: أبق يدك بعيداً عن منطقة القطع وعن الشفرة. أبق يدك الثانية على المقبض المساعد أو على مكان المحرك. إذا كانت كلتا اليدين ممسكتين بالمنشار، فلا يمكن قطعهما بالشفرة.
2. لا تحاول الوصول إلى أسفل قطعة العمل. لا يمكن للواقي أن يحميك من الشفرة الموجودة أسفل قطعة العمل.
3. اضبط عمق القطع حسب سمك قطعة العمل. يجب أن يكون أقل من سن كامل من أسنان الشفرة من رتباً أسفل قطعة العمل.
4. لا تحمل قطعة العمل أبداً بين يديك أو على ساك أثناء القطع. فم بتثبيت قطعة العمل بأمان على منصة مستقرة. من المهم دعم العمل بشكل صحيح من أجل تقليل تعرض الجسم أو إعاقة الشفرة أو فقدان السيطرة.
5. امسك الأداة الكهربائية من أسطح المسك العازلة عند أداء عملية يمكن فيها أن تلامس أداة القطع أسلاكاً غير ظاهرة أو سلك الطاقة الخالص بها. الملامسة للأسلاك "المكهربة" إلى جعل الأجزاء المعدنية المكتشفة من أداة الطاقة "المكهربة" وقد يصيب عامل التشغيل بصدمة كهربائية.
6. عند التمزيق، استخدم دائماً سباجاً للتمزيق أو دليلاً ذا حافة مستقيمة. يؤدي ذلك إلى تحسين دقة القطع وتقليل فرصة إعاقة الشفرة.
7. استخدم دائماً الشفرات ذات الحجم والشكل الصحيحين (المعين مقابل المستدير) لفحات الأشجار. الشفرات التي لا تتوافق مع أدوات التركيب الخاصة بالمنشار سوف تتحرف عن المركز، مما يتسبب في فقدان التحكم.
8. لا تستخدم أبداً فلكات أو مسامير تالفة أو غير صحيحة للشفرات. فلكات ومسامير الشفرات مصممة خصيصاً لمشارك، لغرض تحقيق الأداء الأمثل وسلامة التشغيل.

تحذيرات السلامة العامة للأدوة الكهربائية

تحذير احرص على قراءة جميع تحذيرات السلامة والتعليمات والرسوم التوضيحية والمواصفات المتوفرة مع الادوة الكهربائية هذه. يؤدي عدم اتباع جميع التعليمات المدرجة أدناه إلى حدوث صدمة كهربائية أو شوب حريق و/أو التسبب في حدوث إصابة بالغة.

حفظ جميع التحذيرات والتعليمات لاستخدامها كمرجع في المستقبل.

يشير مصطلح "الادوة الكهربائية" في التحذيرات إلى الأدوات التي تعمل بالكهرباء (السلكية) أو التي تعمل بالبطارية (اللاسلكية).

سلامة منطقة العمل

1. حافظ على مساحة العمل نظيفة وجيدة الإضاءة. المناطق الفضوية أو المظلمة قد تسبب في وقوع الحوادث.
2. لا تقم بتشغيل الأدوات الكهربائية في الأجواء المتفجرة، مثل وجود سوائل قابلة للاشتعال أو غازات أو غبار. ينتج عن الأدوات الكهربائية شرارات قد تتسبب في اشتعال الغبار أو الأبخرة.
3. احرص على إبقاء الأطفال والمارة بعيداً أثناء تشغيل الادوة الكهربائية. قد تفقد السيطرة نتيجة التشتت.

السلامة الكهربائية

1. يجب أن تتناسب مقاييس الآلة الكهربائية مع المنفذ. ممنوع تماماً تعديل القابس بأي شكل من الأشكال. لا تستخدم أي مقابس تحويل مع الادوة الكهربائية الموزعة. المقابس غير المحوذة والمخارج الكهربائية المطابقة تقلل من خطر التعرض للصعق الكهربائي.
2. تجنب ملامسة جسدهك للأسطح الموزعة، مثل الأباب والمشاتع والموافد والثلاجات. يزيد أي خطر التعرض للصعق الكهربائي في حالة تيار بشجسدك.
3. لا تعرض الادوة الكهربائية للمطر أو الظروف الجوية الرطبة. دخول المياه إلى الادوة الكهربائية يزيد من خطر التعرض للصعق الكهربائي.
4. لا تسمى استعمال السلك الكهربائي. ممنوع تماماً حمل الادوة الكهربائية أو سحبها أو فصلها باستخدام السلك. ابع السلك عن الحرارة أو الشوم أو الحواف الحادة أو الأجزاء المتحركة. الأسلاك التالفة أو المتشابكة تزيد من خطر التعرض للصعق الكهربائي.
5. يرجى استخدام كابل إطالة مناسب للاستخدام الخارجي، عند تشغيل الآلة الكهربائية في الهواء الطلق. استخدام سلك مناسب للاستخدام في المناطق الخارجية يقلل من خطر التعرض للصعق الكهربائي.
6. في حال أصبح تشغيل الآلة في مكان رطب أمراً لا مفر منه، استخدم وحدة إمداد كهربائية محمية بالتيار المتبقي (RCD)، استخدام قاطع دائرة التيار المتبقي (RCD) يقلل من خطر التعرض للصعق الكهربائي.

السلامة الشخصية

1. احترس وانتبه لما تقوم به واستخدم الحس السليم عند تشغيلك للأدوة الكهربائية. لا تستخدم الادوة الكهربائية إذا كنت مرهقاً أو تحت تأثير العقائير أو الكحوليات أو الأدوية. قد تؤدي الغفلة للحظة واحدة أثناء تشغيل الأدوات الكهربائية إلى تعرض الأشخاص لإصابة خطيرة.
2. استخدم معدات الوقاية الشخصية. احرص دائماً على ارتداء نظارات حماية العين. معدات الوقاية مثل كاماة الغبار أو أحذية السلامة غير القابلة للارتداء أو القبعة الصلبة أو واقبات السمع مستقل من حدوث الإصابات الشخصية.
3. الحلولة دون بدء التشغيل غير المقصود. تأكد من أن المفتاح في وضع إيقاف التشغيل قبل توصيل القابس بمصدر الطاقة و/ أو تركيب حزمة البطارية، أو عند التقاط أو حمل الادوة. حمل الأدوات الكهربائية وإصبعك على المفتاح أو أدوات الإمداد الكهربائية التي تحتوي على مفتاح قد يتسبب في وقوع حوادث.

4. إزالة أي مفتاح ضبط أو مفتاح ربط قبل تشغيل الادوة الكهربائية. حيث إنه من المتوقع أن يتسبب ترك هذا المفتاح معلقاً بالجزء الدوار بالالة في وقوع إصابات شخصية.
5. لا تقرب بشدة من الجهاز. واحرص على ثبات موطى القدم والتوازن في جميع الأوقات. فينكذ يمكنك التحكم في الادوة الكهربائية بشكل أفضل في المواقف غير المتوقعة.
6. ارتداء الملابس اللازمة. لا ترتدي ملابس فضفاضة أو مجوهرات. احرص على ابعاد شعرك وملاسك عن الأجزاء المتحركة. يمكن للملابس الفضفاضة أو المجوهرات أو الشعر الطويل أن يعلق في الأجزاء المتحركة.
7. في حال توفير أجهزة لتوصيل مراقف شقظ الغبار وتجميعه، فتأكد من توصيلها واستخدامها بشكل صحيح. استخدام أنظمة تجميع الغبار من شأنه الحد من المخاطر المرتبطة بالآتريه.
8. لا تدع المعرفة المكتسبة من الاستخدام المتكرر للأدوات توحى لك بالشعور بالرضا وتجاهل مبادئ سلامة الادوة. الإهمال قد يتسبب في إصابة خطيرة في عضه عين.

استخدام الأدوات الكهربائية والعناية بها

1. لا تجبر الادوة الكهربائية على القيام بمهام لم تصمم لتنفيذها. استخدم أداة الكهربائية المناسبة للمهمة. ستنتج الادوة الكهربائية العمل بشكل أفضل وأكثر أمناً بالمعدل الذي صممت من أجله.
2. لا تستخدم الأدوات الكهربائية إذا كان المفتاح لا يقوم بتشغيلها وإيقاف تشغيلها. أي أداة كهربائية لا يمكن التحكم فيها باستخدام المفتاح تعتبر أداة خطيرة ويلزم إصلاحها.
3. أفضل القابيس من مصدر الطاقة و/ أو اخرج حزمة البطارية من الادوة الكهربائية قبل إجراء أي تعديلات أو تغيير للملحقات أو عند تخزين الأدوات الكهربائية. حيث تعمل مثل هذه الإجراءات الوقائية على الحد من خطر التشغيل المفاجئ للالة.
4. التخزين في الأدوات الكهربائية المعطلة بعيداً عن متناول الأطفال مع عدم السماح لأي شخص ليس على دراية بكيفية استخدامها أو بتعليمات تشغيلها. تمثل الأدوات الكهربائية خطورة عندما تقع في أيدي غير المدربين على استعمالها.
5. صيانة الادوة الكهربائية وملحقاتها. تحقق من عدم وجود أي علق أو تعارض بين الأجزاء المتحركة ، وعدم وجود أي كسر في القطع وأي حالة أخرى قد تؤثر على تشغيل الأدوات الكهربائية. في حال تعرض الادوة الكهربائية للتلف، يجب إصلاحها قبل الاستخدام، حيث يمكن أن تتسبب الأدوات الكهربائية التي لم يتم صيانتها جيداً في وقوع كثير من الحوادث.
6. الحفاظ على ادوات القطع حادة ونظيفة. أدوات القطع ذات الحواف الحادة التي يتم صيانتها بشكل صحيح تكون أقل عرضة للتلف وأسهل في التحكم بها.
7. استخدم الادوة الكهربائية والملحقات والريش وما إلى ذلك وفقاً لهذه التعليمات، مع مراعاة ظروف العمل والأعمال التي يتعين القيام بها. استخدام الادوة الكهربائية في تنفيذ مهام مختلفة عما صممت من أجله قد يتسبب عنه أوضاع خطيرة.
8. الحفاظ على المقابض وأسطح الإمساك جافة ونظيفة وخالية من الزيوت والشوم. لا يُسمح باستخدام المقابض الزلقة وأسطح الإمساك من أجل التعامل الآمن مع الادوة والتحكم فيها في المواقف غير المتوقعة.

استخدام الأدوات الكهربائية والعناية بها

1. إعادة الشحن فقط بإشاحن المحدث من قبل الشركة المصنعة. قد يؤدي استخدام الشاحن المناسب لنوع واحد من حزمة البطارية إلى خطر نشوب حريق عند استخدامه مع حزمة بطارية أخرى.
2. استخدم أدوات الطاقة فقط مع حزم بطاريات محددة على وجه التحديد. قد يؤدي استخدام أي عبوات بطارية أخرى إلى خطر الإصابة والحريق.

DE-YJ20-1D4	الطرز	
20 فولت ===	الفولطية المقدره	
6900لفة في الدقيقة	السرعة القصوى من دون حمل	
150 ملم	حجم الشفرة الأقصى	
56 ملم	قدرة القطع 90درجة	قدرة القطع
39 ملم	قدرة القطع 45درجة	
0-45درجة	نطاق القطع المائل	
1.78 كجم	وزن الماكينة	

- تحتفظ الجهة المُصنعة بالحق في تغيير المواصفات دون إشعار مُسبق.
- قد تختلف هذه المواصفات من بلد إلى آخر.

الملحقات القياسية:

- مقياس العمق

المقبض الإضافي

يُنصح باختيار الملحقات من مكان الشراء الأصلي للأداة الكهربائية. يُرجى اختيار الملحقات الصحيحة التي تحتاجها لإنجاز عملك. يُرجى الاطلاع على حزمة الملحقات لتحقيق الاستخدام الأفضل للجهاز والمساعدة.

⚠ تحذيراً يُرجى استخدام حزم البطاريات وأجهزة الشحن المدرجة فقط. قد يؤدي استخدام أي عيوب بطارية أخرى إلى خطر الإصابة والحريق.

2.0 أمبير في الساعة	DE-DC20A2	حزمة بطارية
2.5 أمبير في الساعة	DE-DC20A3	
4.0 أمبير في الساعة	DE-DC20A4	
5.0 أمبير في الساعة	DE-DC20A5	
6.0 أمبير في الساعة	DE-DC20A6	
8.0 أمبير في الساعة	DE-DC20B8	
2A شحنة واحدة	DE-CD20A2E	شاحن
4A شحنة مزدوجة	DE-CD20D4E	
8A شحنة واحدة	DE-CD20A8E	

الرموز

اقرأ دليل التعليمات 	علامة التحذير 	يرجى ارتداء القفازات الواقية 	يرجى ارتداء أظفحة واقية 
يرجى ارتداء أغطية الأذن الواقية 	يرجى ارتداء النظارات الواقية 	لا تضع هذه الأداة الكهربائية في الماء 	لا تضع هذه الأداة الكهربائية في النار 
ألومنيوم 	لمعدن 	قفل 	فتح 
خشب 	شفرة المنشار 	بلاستيك 	بلاط سيراميك 
خطأ 	صحيح 	تحتوي البطاريات على أيون الليثيوم. لحماية البيئة، يجب فرز البطاريات المهملة وإعادة تدويرها، ولا ينبغي إلقاؤها في سلة المهملات.	
شهادة الاتحاد الجمركي 	يرجى إزالة حزمة البطارية قبل استبدال الملحقات 		