

User Instruction Manual

ANGLE GRINDER DL-JM100-EI DL-JM115-EI DL-JM125-E2

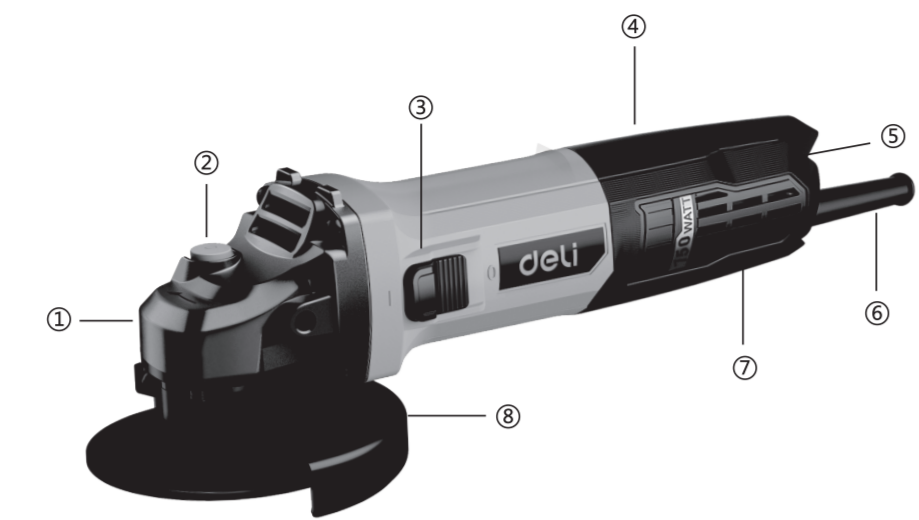


The picture is for reference only

Contents

- 1. Schematic Diagram of the Angle Grinder
2. General Safety Warnings for Power Tool
3. General Safety Rules of the Angle Grinder
4. Installation and Function Description
5. Troubleshooting
6. Description of Attachment
7. Maintenance and Service

1 Schematic Diagram of the Angle Grinder



This schematic diagram is for reference only. The appearance of the machine varies for different models, and the actual product shall prevail.

Table with 4 columns: Serial No., Name, Serial No., Name. Rows include Head casing, Self-locking cap, Side switch, Carbon brush, Rear switch, Cable sheath, Rear cover, Guard.

2 General safety warnings for power tool

Warning

Read all warnings and instructions. Failure to follow the following warnings and instructions may result in electric shock, fire and/or serious injury.

Workplace Safety

- 1.Keep the workplace clean and bright.
2.Do not operate power tool in an explosive environment...
3.Keep children and bystanders away...
4.Remove all adjustment keys...
5.Do not stretch your hand too long...

Electrical safety

- 1.Power tool plug must match the socket.
2.Keep the human body away from grounded surfaces...
3.Power tool must not be exposed to rain...
4.Do not misuse electrical wires...
5.When using power tool outdoors...
6.If it is not possible to avoid operating power tool in a humid environment...

3 Personal safety

- 1.Keep alert. Pay attention to what you are doing and keep a clear head when operating a power tool.
2.Use personal protective equipment.
3.Prevent accidental starting.

Workplace Safety

- 1.Keep the workplace clean and bright.
2.Do not operate power tool in an explosive environment...
3.Keep children and bystanders away...
4.Remove all adjustment keys...
5.Do not stretch your hand too long...

Electrical safety

- 1.Power tool plug must match the socket.
2.Keep the human body away from grounded surfaces...
3.Power tool must not be exposed to rain...
4.Do not misuse electrical wires...
5.When using power tool outdoors...
6.If it is not possible to avoid operating power tool in a humid environment...

4 Personal safety

- 1.Keep alert. Pay attention to what you are doing and keep a clear head when operating a power tool.
2.Use personal protective equipment.
3.Prevent accidental starting.

Workplace Safety

- 1.Keep the workplace clean and bright.
2.Do not operate power tool in an explosive environment...
3.Keep children and bystanders away...
4.Remove all adjustment keys...
5.Do not stretch your hand too long...

Electrical safety

- 1.Power tool plug must match the socket.
2.Keep the human body away from grounded surfaces...
3.Power tool must not be exposed to rain...
4.Do not misuse electrical wires...
5.When using power tool outdoors...
6.If it is not possible to avoid operating power tool in a humid environment...

5 Personal safety

- 1.Keep alert. Pay attention to what you are doing and keep a clear head when operating a power tool.
2.Use personal protective equipment.
3.Prevent accidental starting.

Workplace Safety

- 1.Keep the workplace clean and bright.
2.Do not operate power tool in an explosive environment...
3.Keep children and bystanders away...
4.Remove all adjustment keys...
5.Do not stretch your hand too long...

Electrical safety

- 1.Power tool plug must match the socket.
2.Keep the human body away from grounded surfaces...
3.Power tool must not be exposed to rain...
4.Do not misuse electrical wires...
5.When using power tool outdoors...
6.If it is not possible to avoid operating power tool in a humid environment...

6 General safety rules of the angle grinder

General safety warnings of the angle grinder

- 1.This power tool functions as a grinder, for cutting and grinding.
2.It is not recommended using this power tool for operations such as brushing and polishing.
3.Attachment not recommended by the tool manufacturer...

Maintenance and repair

- Power tool should be repaired by professional maintenance personnel using the same spare parts.
Use the auxiliary handle provided with the tool.
The hidden line or its own flexible wire may be touched when cutting attachment...

Maintenance and repair

- Power tool should be repaired by professional maintenance personnel using the same spare parts.
Use the auxiliary handle provided with the tool.
The hidden line or its own flexible wire may be touched when cutting attachment...

7 abrasive or workpiece fragments.

- The eye protection shield must enter the material surface and cause the grinding wheel to creep out or rebound.
9.Keep bystanders at a safe distance from the work area.
10.For operation places where the cutting attachment may cut the hidden wires or own wires...

8 Personal safety

- 1.Keep the cord away from the rotating attachment.
2.Never put your hands near the rotating attachment.
3.Do not stand where the power tool may move when rebounding occurs.
4.Be careful when working at sharp corners and sharp edges...

9 Personal safety

- 1.Keep the cord away from the rotating attachment.
2.Never put your hands near the rotating attachment.
3.Do not stand where the power tool may move when rebounding occurs.
4.Be careful when working at sharp corners and sharp edges...

10 Personal safety

- 1.Keep the cord away from the rotating attachment.
2.Never put your hands near the rotating attachment.
3.Do not stand where the power tool may move when rebounding occurs.
4.Be careful when working at sharp corners and sharp edges...

11 Personal safety

- 1.Keep the cord away from the rotating attachment.
2.Never put your hands near the rotating attachment.
3.Do not stand where the power tool may move when rebounding occurs.
4.Be careful when working at sharp corners and sharp edges...

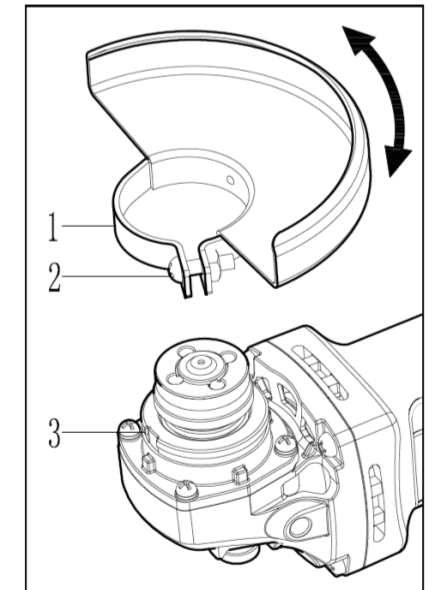
12 Personal safety

- 1.Keep the cord away from the rotating attachment.
2.Never put your hands near the rotating attachment.
3.Do not stand where the power tool may move when rebounding occurs.
4.Be careful when working at sharp corners and sharp edges...

- 4.Always use an undamaged grinding wheel flange of the appropriate size and shape for the selected grinding wheel.
5.It is not allowed to use worn grinding wheels left over from large-sized power tools.

4 Installation and function description

Installation instructions
Guard installation and adjustment

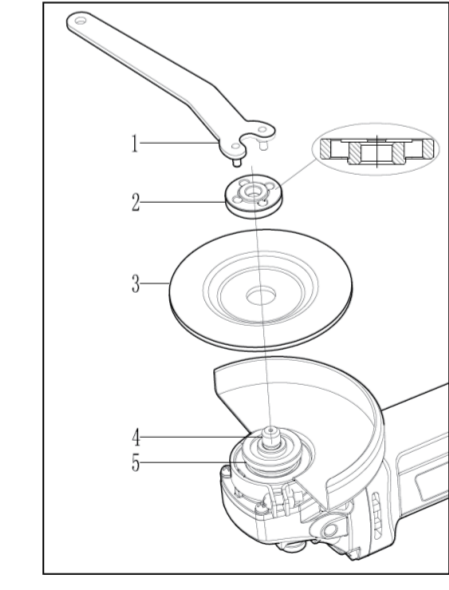


- 1.Guard 2.Screw 3.Front cover
The guard is a kind of protective device, which is used to prevent injury due to broken grinding wheel during operation.

- 3.When the grinding wheel is stuck or the cutting is interrupted for any reason, turn off the power tool and hold the tool until the grinding wheel is completely stopped.
4.The cutting operation cannot be restarted on the workpiece.
5.Supporting the plate or oversized workpieces can minimize the risk of grinding wheel seizure and rebound.

Assembly and disassembly of grinding wheel

Note: In order to prevent serious accidents, the power must be turned off and the power plug must be pulled out from the socket.

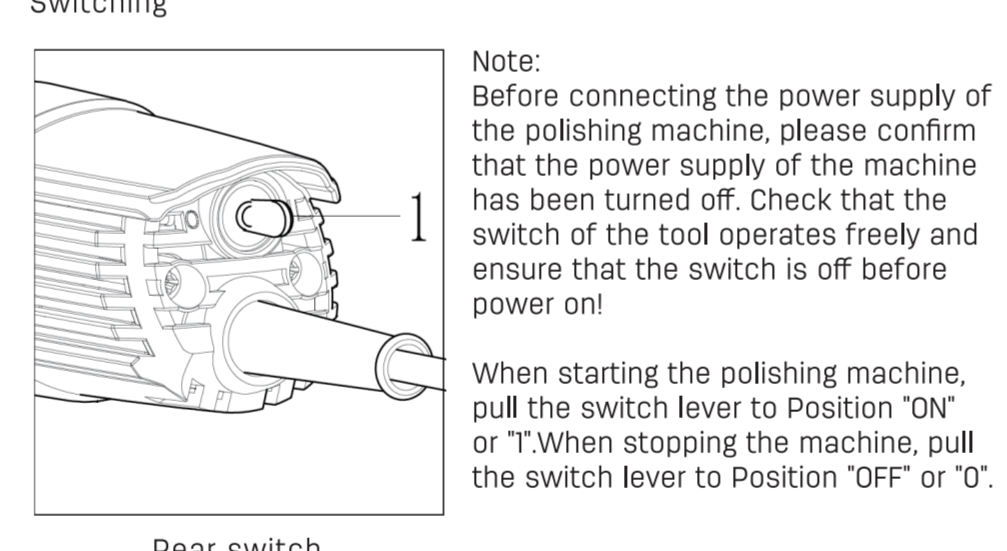


- 1.Wrench 2.Upper press plate 3.Depress-center grinding wheel 4.Spindle 5.Lower press plate 6.Shaft lock

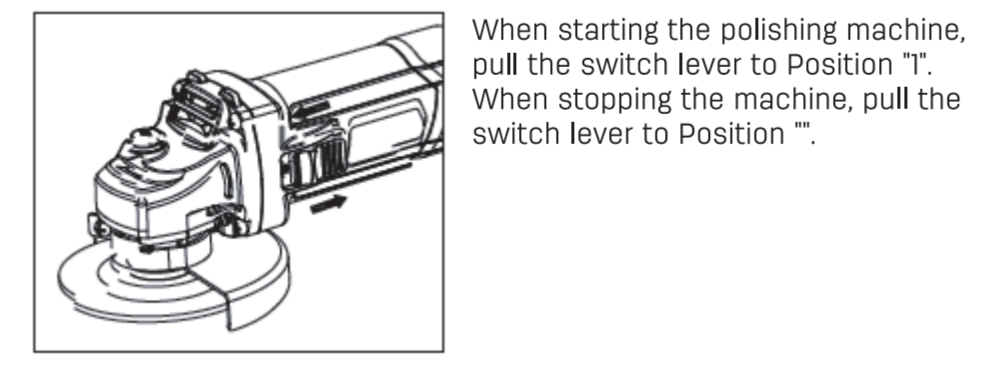
- Assembly:
1.Face the spindle of the machine upward;
2.Install the lower press plate (5) on the spindle (4);
3.Install the protrusion of depress-center grinding wheel (3) onto the lower pressing plate (5);
4.Install the convex face of the upper press plate (2) on the depress-center grinding wheel (3) and screw it on the spindle;
5.Press the shaft lock (6) firmly to prevent the spindle from rotating...

Note: When installing the grinding plate, the convex part of the upper press plate shall face inward.
Disassembly: The disassembly sequence is opposite to the installation sequence.

Feature description



Note: Before connecting the power supply of the polishing machine, please confirm that the power supply of the machine has been turned off.
When starting the polishing machine, pull the switch lever to Position "ON" or "I".

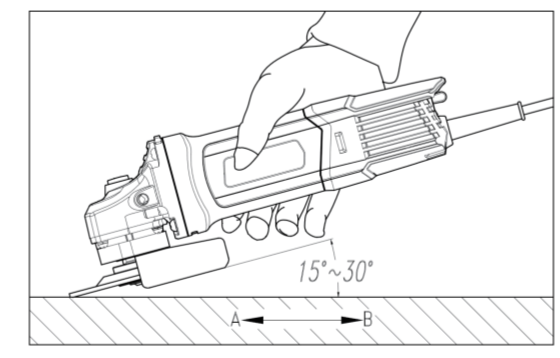


Note: Metal grinding will generate sparks. It is strictly prohibited to store any combustible materials within the spark scattering range to avoid fire!

Actual operation: To reduce hazards and injuries such as explosion and electric shock etc., check whether there are hidden wires, gas and water supply pipes on the surface of the workpiece before operation!

Grinding

- 1.The angle between the grinding wheel and the workpiece is about 15 degrees, and partial contact renders the best effect;
2.To avoid overheating, discoloration or crazing of the workpiece, please apply light force to move the machine body back and forth;
3.Never grind with the cutting blade;
4.In order to prevent sparks and grinding debris from shooting on the body of the operator...



Remarks: Non-professional personnel are not allowed to disassemble the machine for maintenance.

- 5.Ensure that the air inlet and outlet of the machine are free of foreign matters during use to prevent the machine from heating and damage.

Product parameters

Table with 4 columns: Item No., DL-JM100-EI, DL-JM115-EI, DL-JM125-E2. Rows include Rated voltage, Rated frequency, Rated power, Rated speed, Specifications, Switch position, Spindle thread, Insulation class.

Warning

- 1.Face safety glasses. When there is much debris or dust, please wear a mask and always wear goggles.
2.Do not drill holes at the machine parts during use.
3.When putting down the angle grinder after work, first confirm whether the angle grinder is completely stopped.
4.If the machine is damaged due to accidental dampness, falling or natural damage due to long-term use...

5 Troubleshooting

Table with 3 columns: Faults, Causes, Troubleshooting. Rows include motor not working, abnormal sound, annular fire, slow rotation.

Remarks: Non-professional personnel are not allowed to disassemble the machine for maintenance.

- Disposal of waste: Damaged machinery, attachment and waste packaging materials must be recycled in an environmentally friendly manner.

Service and customer consultation: For warranty, repair or replacement of parts such as breakdown drawings of the machine and information on spare parts, please inquire with a qualified dealer.

6 Description of the accessories

Accessories: Guard x1 Wrench x1 Carbon brush x2

7 Maintenance and service

Maintenance and cleaning: Before repairing power tool or changing parts and attachment, be sure to remove the plug from the socket.

- 1.Before repairing power tool or changing parts and attachment, be sure to remove the plug from the socket.
2.Power tool and ventilation gaps must be kept clean to improve the quality and safety of work.
3.If the dustproof cover is damaged, it must be replaced immediately.

- 2.This warranty card and purchase invoice are the voucher of after-sales service provided by our company to customers.
3.In one of the following cases, free warranty service will be invalid, and maintenance fees will be required:
(1) Exceed the expiration date;
(2) Failure or damage caused by not following the requirements of the product manual...

This card is issued with the product. One card for one machine, to ensure that you can fully enjoy the right to free warranty service provided by the company, please keep this card properly, lost will not be replaced.

Purchase Date: (Year/Month/Day)

Product Warranty Card

Dear users: Thank you for buying our products. In order to ensure your profit, users who buy our products can contact local distributor or Specified repair stations with invoice and warranty cards if the product failures due to quality problems.

Warranty Notice: 1.From (Year/Month/Day) to (Year/Month/Day)

Inspector: 01 Date of manufacture:

2.This warranty card and purchase invoice are the voucher of after-sales service provided by our company to customers.
3.In one of the following cases, free warranty service will be invalid, and maintenance fees will be required:
(1) Exceed the expiration date;
(2) Failure or damage caused by not following the requirements of the product manual...

This card is issued with the product. One card for one machine, to ensure that you can fully enjoy the right to free warranty service provided by the company, please keep this card properly, lost will not be replaced.

Purchase Date: (Year/Month/Day)

Product Certificate

Inspector: 01

Date of manufacture:

NINGBO DELI TOOLS CO., LTD. No. 128 Chazhan West Road, Huangtan Town, Ninghai County, Ningbo, Zhejiang, China deli@delitools.com www.delitoolsglobal.com +86 574 87552689 MADE IN CHINA



Reserved for future use

Version: 1.0 Date: Feb. , 2023